

(19)



(11)

EP 3 862 053 B1

(12)

EUROPEAN PATENT SPECIFICATION

(45) Date of publication and mention of the grant of the patent:
20.12.2023 Bulletin 2023/51

(51) International Patent Classification (IPC):
A62B 35/04 (2006.01)

(21) Application number: **20156019.0**

(52) Cooperative Patent Classification (CPC):
A62B 35/04

(22) Date of filing: **07.02.2020**

(54) IMPROVED FORCE DAMPER

VERBESSERTER KRAFTDÄMPFER
AMORTISSEUR DE FORCE AMÉLIORÉ

(84) Designated Contracting States:
AL AT BE BG CH CY CZ DE DK EE ES FI FR GB GR HR HU IE IS IT LI LT LU LV MC MK MT NL NO PL PT RO RS SE SI SK SM TR

• **MURRAY, Jeffery L.**
Hamburg, NY 14075 (US)

(43) Date of publication of application:
11.08.2021 Bulletin 2021/32

(74) Representative: **Reichert & Lindner
Partnerschaft Patentanwälte
Stromerstr. 2A
93049 Regensburg (DE)**

(73) Proprietor: **On Top Safety, Inc.**
Cheektowaga, NY 14227 (US)

(56) References cited:
**DE-U1-202008 002 704 US-A1- 2004 145 098
US-A1- 2019 195 310**

(72) Inventors:
• **CARROCCIA, John J.**
Orchard Park, NY 14127 (US)

EP 3 862 053 B1

Note: Within nine months of the publication of the mention of the grant of the European patent in the European Patent Bulletin, any person may give notice to the European Patent Office of opposition to that patent, in accordance with the Implementing Regulations. Notice of opposition shall not be deemed to have been filed until the opposition fee has been paid. (Art. 99(1) European Patent Convention).

Description

FIELD

[0001] The invention broadly relates to a force damper, more specifically to a force damper used as a fall mitigation device, and even more particularly to a force damper used as a fall mitigation device having a single use, collapsible/compressible/compactable resilient member arranged to prevent reuse of the force damper after arresting a falling object, e.g., a roofing construction worker.

BACKGROUND

[0002] Fall prevention and fall arrest systems are known in the art. For example, one such system includes a stretchable shock absorbing lanyard, e.g., Model No. 1340101 PRO™ Stretch Shock Absorbing Lanyard manufactured by Protecta®. The inner core of the device extends from about four and a half feet to about six feet (137.2 to 182.9 cm) while absorbing energy of a falling object. Although this device may be suitable in some situations, it cannot ensure safety in situations where the falling height is similar to the height of the object falling, e.g., a worker that is six feet (182.9 cm) falling off an elevated level of seven feet (213.4 cm). However, heretofore, such damper devices were arranged to be reused over and over again.

[0003] US Patent Application US 2019/195310A1 discloses a force damper which progressively arrests a first force imparted by an object moving in a first direction. US 2019/195310A1 does not disclose a plastically deformable elongatable portion.

[0004] US Patent Application US 2004/0145098 A1 describes cushion members that are compressed when subjected to a force. US 2004/0145098 A1 195310A1 does not disclose a plastically deformable elongatable portion.

[0005] German Utility Model DE 20 2008002 704 U1 describes a force damper having a "crush zone" defining a honeycomb structure. DE 20 2008002 704 U1 does not also disclose, a plastically deformable elongatable portion.

[0006] Regulations and/or a desire to ensure worker safety have created a need for force damping systems that cannot be used more than a single time as the integrity of a previously used force damper cannot be verified. For example, a force damper used to slow the fall of a three hundred pound (136.1 kg) object may not perform effectively while slowing the fall of a three hundred pound (136.1 kg) object a second time, while the same force damper may perform repeatably when slowing the fall of a one hundred fifty pound (68.0 kg) object. Thus, there is a long-felt need for a force damper that is easy to operate, inexpensive to build, safe for its intended use and that precludes subsequent uses.

SUMMARY

[0007] The present invention broadly comprises a force damper arranged to progressively arrest a first force imparted by an object moving in a first direction, the force damper including a housing, a driving member and a resilient member. The housing includes a first end and a second connection point secured to the first surface, and the second end having a through bore and a third surface opposingly disposed relative to the second surface. The driving member includes a first end, a second end and a shaft therebetween, the first end comprises a stop and the second end comprises a second connection point. The resilient member is formed from a material that at least partially undergoes plastic deformation when the first force is arrested. The resilient member is disposed between the stop and the third surface and imparts a second force on the stop toward the second surface. The driving member shaft includes an elongatable portion disposed between the first shaft end and the second shaft end, which is elongatable in the first direction upon application of sufficient force in the first direction to deform the elongatable portion; wherein, the elongatable portion comprises one or more of a zig-zag region, a sinusoidal region, or a helical region; and, wherein the elongatable portion is plastically deformable.

[0008] The present invention also broadly comprises a force damper arranged to progressively arrest a first force imparted by an object moving in a first direction, the force damper including a housing, a driving member and first and second resilient members. The housing includes a first end and a second end, the first end having a first surface, a second surface opposite the first surface and a first connection point secured to the first surface, and the second end having a through bore and a third surface opposingly disposed relative to the second surface. The driving member includes a first end, a second end and a shaft therebetween, the first end having a stop and the second end having a second connection point. At least one of the first and second resilient members is formed from a material that at least partially undergoes plastic deformation when the first force is arrested. The first and second resilient members are disposed between the stop and the third surface and impart a second force on the stop toward the second surface.

[0009] These and other objects and advantages of the present invention will be readily appreciable from the following description of preferred embodiments of the invention and from the accompanying drawings and claims.

BRIEF DESCRIPTION OF THE DRAWINGS

[0010] The nature and mode of operation of the present invention will now be more fully described in the following detailed description of the invention taken with the accompanying drawing figures, in which:

Figure 1 is a side cross sectional view of force damper according to the prior art;
 Figure 2 is a top perspective view of a force damper according to the prior art;
 Figure 3 is a front perspective, a side elevational and a front elevational view of an embodiment of a plate included in some embodiments of a present force damper;
 Figure 4 is a front perspective, a side elevational and a front elevational view of an embodiment of a plate included in some embodiments of a present force damper;
 Figure 5 is a front perspective, a side elevational and a front elevational view of an embodiment of a plate included in some embodiments of a present force damper;
 Figure 6 is a front perspective, a side elevational and a front elevational view of an embodiment of a tube included in some embodiments of a present force damper;
 Figure 7 is a front perspective, a side elevational and a front elevational view of an embodiment of a stop included in some embodiments of a present force damper;
 Figure 8 is a front perspective, a side elevational and a front elevational view of an embodiment of a tube included in some embodiments of a present force damper;
 Figure 9 is a front perspective, a side elevational and a front elevational view of an embodiment of a shaft included in some embodiments of a present force damper;
 Figure 10 is a front perspective and a front elevational view of an embodiment of a resilient member included in some embodiments of a present force damper;
 Figure 11 is a front perspective view of an embodiment of a connection point included in some embodiments of a present force damper;
 Figure 12 is a front perspective view of an embodiment of a connection point included in some embodiments of a present force damper;
 Figure 13 is a side cross sectional view of a force damper according to the prior art;
 Figure 14 is a front elevational view of an embodiment of a present force damper;
 Figure 15 is a back elevational view of an embodiment of a present force damper;
 Figure 16 is a top perspective view of an embodiment of a present force damper;
 Figure 17 is a side cross sectional view of a force damper (not according to the present invention);
 Figures 18A and 18B are side cross-sectional views of embodiments of a present force damper before (FIG. 18A) and after (FIG. 18B) application of a force upon a driving member shaft;
 Figure 19 is a side cross sectional view of an embodiment of a present force damper;

Figure 20 is a side cross sectional view of an embodiment of a present force damper;
 Figures 21A and 21B are side cross-sectional views of embodiments of a present force damper before (FIG. 21A) and after (FIG. 21B) application of a force upon a driving member shaft; and,
 Figures 22 - 24 are graphical representations of results of drop tests of present embodiments of force dampers described herein.

DETAILED DESCRIPTION

[0011] At the outset, it should be appreciated that like drawing numbers on different drawing views identify identical, or functionally similar, structural elements of the invention. While the present invention is described with respect to what is presently considered to be the preferred aspects, it is to be understood that the invention as claimed is not limited to the disclosed aspects.

[0012] Furthermore, it is understood that this invention is not limited to the particular methodologies, materials and modifications described and as such may, of course, vary. It is also understood that the terminology used herein is for the purpose of describing particular aspects only, and is not intended to limit the scope of the present invention, which is limited only by the appended claims.

[0013] Unless defined otherwise, all technical and scientific terms used herein have the same meaning as commonly understood to one of ordinary skill in the art to which this invention belongs. Although any methods, devices or materials similar or equivalent to those described herein can be used in the practice or testing of the invention, the preferred methods, devices, and materials are now described.

[0014] It should be understood that use of "or" in the present application is with respect to a "non-exclusive" arrangement, unless stated otherwise. For example, when saying that "item x is A or B," it is understood that this can mean one of the following: (1) item x is only one or the other of A and B; (2) item x is both A and B. Alternately stated, the word "or" is not used to define an "exclusive or" arrangement. For example, an "exclusive or" arrangement for the statement "item x is A or B" would require that x can be only one of A and B. Moreover, as used herein, the phrases "comprises at least one of" and "comprising at least one of" in combination with a system or element is intended to mean that the system or element includes one or more of the elements listed after the phrase. For example, a device comprising at least one of: a first element; a second element; and, a third element, is intended to be construed as any one of the following structural arrangements: a device comprising a first element; a device comprising a second element; a device comprising a third element; a device comprising a first element and a second element; a device comprising a first element and a third element; a device comprising a first element, a second element and a third element; or, a device comprising a second element and a third ele-

ment. A similar interpretation is intended when the phrase "used in at least one of:" is used herein. Furthermore, as used herein, "and/or" is intended to mean a grammatical conjunction used to indicate that one or more of the elements or conditions recited may be included or occur. For example, a device comprising a first element, a second element and/or a third element, is intended to be construed as any one of the following structural arrangements: a device comprising a first element; a device comprising a second element; a device comprising a third element; a device comprising a first element and a second element; a device comprising a first element and a third element; a device comprising a first element, a second element and a third element; or, a device comprising a second element and a third element.

[0015] It should be appreciated that the term "substantially" is synonymous with terms such as "nearly," "very nearly," "about," "approximately," "around," "bordering on," "close to," "essentially," "in the neighborhood of," "in the vicinity of," etc., and such terms may be used interchangeably as appearing in the specification and claims. It should be appreciated that the term "proximate" is synonymous with terms such as "nearby," "close," "adjacent," "neighboring," "immediate," "adjoining," etc., and such terms may be used interchangeably as appearing in the specification and claims. The term "approximately" is intended to mean values within ten percent of the specified value.

[0016] By "non-rotatably connected" elements, we mean that: the elements are connected so that whenever one of the elements rotate, all the elements rotate; and relative rotation between the elements is not possible. Radial and/or axial movement of non-rotatably connected elements with respect to each other is possible, but not required. Additionally, "plastic deformation" is intended to mean instances when a sufficient load is applied to a material that causes a permanent change in shape to that material.

[0017] Adverting now to the figures, it should be appreciated that the figures depict various embodiments of the present force damper. The elevated work surface, e.g., roof, the falling object, e.g., a worker, a tool, a container filled with materials, etc., are not shown in the figures. One of ordinary skill in the art will readily appreciate the type, form and arrangement of each of the foregoing structures and therefore depiction in the figures is unnecessary. For the purpose of clarity in the detailed description, these structures are not included in the figures; however, the structures are discussed herebelow.

[0018] The prior art discloses force damper **50** arranged to progressively arrest a first force imparted by an object moving in a first direction, i.e., the direction depicted by arrow **51**. Force damper **50** comprises housing **52**, driving member **54** and resilient member **56**. Housing **52** comprises first end **58** and second end **60**. First end **58** includes first surface **62**, second surface **64** opposite first surface **62** and first connection point **66** secured to first surface **62**. Second end **60** includes

through bore **68** and third surface **70** opposingly disposed relative to second surface **64**. Driving member **54** comprises first end **72**, a second end **74** and shaft **76** therebetween. First end **72** comprises stop **78** and second end **74** comprises second connection point **80**. Resilient member **56** is formed from a material that at least partially undergoes plastic deformation when the first force is arrested. Resilient member **56** is disposed between stop **78** and third surface **70**, and imparts a second force on stop **78** toward second surface **64** and on second end **60** toward third surface **70**, as depicted by bi-directional arrow **82**.

[0019] In some embodiments of the prior art, housing **52** encloses resilient member **56**. In some embodiments, second end **60** of housing **52** comprises block **84**. Block **84** comprises through bore **68** and third surface **70**. In some of these embodiments, block **84** is formed from a urethane material. Thus, block **84** may provide force damping in addition to that of resilient member **56**. It should be appreciated that block **84** may also be formed from a rigid material, e.g., a metal, and in those embodiments block **84** does not provide additional force damping.

[0020] In some embodiments of the prior art, resilient member **56** is a resilient polymer, a leaf spring, a shock absorber, and/or a compression spring, e.g., compression spring **86**. In some of these embodiments, resilient member **56** is compression spring **86**, and in some of these embodiments, compression spring **86** is formed from a chrome silicon steel material. In some embodiments, the compression springs described herein are between 10.16-30.48 cm. In some embodiments, the compression springs described herein may be formed from elastomeric compounds such as elastomeric plastics, etc.

[0021] In some embodiments of the prior art, force damper **50** further comprises securing line **88** selected from the group of: a rope, a cable, and/or a tether, and securing line **88** may in turn be connected to a harness and/or a belt. Subsequently, the object to be secured, e.g., a worker, a tool, a container, etc., is secured directly to the rope, cable and/or tether, or alternatively, secured directly to the harness and/or belt. It should be appreciated that securing line **88** is depicted as a rope only and that the structure and form of a cable and/or a tether are readily apparent to one having ordinary skill in the art and therefore depiction in the figures is unnecessary. Similarly, depiction of a subsequent harness and/or belt is also unnecessary. It should be further appreciated that various types of securing lines are more suitable for the present force damper, e.g., stretchable and/or shock absorbing ropes, as additional force may be damped by these types of securing lines. However, including such types of securing lines is not required.

[0022] In other embodiments of the prior art, the present invention broadly includes force damper **100** arranged to progressively arrest a first force imparted by an object moving in a first direction, i.e., the direction

depicted by arrow **101**. Force damper **100** comprises housing **102**, driving member **104** and first and second resilient members **106** and **108**, respectively. Housing **102** comprises first end **110** and second end **112**. First end **110** includes first surface **114**, second surface **116** opposite first surface **114** and first connection point **118** secured to first surface **114**. Second end **112** includes through bore **120** and third surface **122** opposingly disposed relative to second surface **116**. Driving member **104** comprises first end **124**, second end **126** and shaft **128** therebetween. First end **124** comprises stop **130** and second end **126** comprises second connection point **132**. At least one of first and second resilient members **106** and **108**, respectively, is formed from a material that at least partially undergoes plastic deformation when the first force is arrested. In other terms, one or both of first and second resilient members **106** and **108**, respectively, undergoes plastic deformation while arresting the first force. Thus, one of the resilient members may be arranged to arrest a portion of the force and display visible, permanent deformation while the other resilient member provides force damping while undergoing only elastic deformation, i.e., temporary shape change with restoration to its original shape after damping is complete. First and second resilient members **106** and **108**, respectively, are disposed between stop **130** and third surface **122**, and impart a second force on stop **130** toward second surface **116** and on second end **112** toward third surface **122**, as depicted by bi-directional arrow **134**.

[0023] In some embodiments of the prior art, housing **102** further comprises reinforcement plate **136** arranged between first and second ends **110** and **112**, respectively, of housing **102**. In some embodiments, housing **102** at least partially encloses first and second resilient members **106** and **108**, respectively. It should be appreciated that "partially encloses" is depicted in the figures in that tubes **138** include open portions **140** which permit the linear actuation of stop **130** as force damper **100** arrests the first force imparted by the object moving in the first direction. In some embodiments, second end **112** of housing **102** comprises plate **142**. Plate **142** comprises through bore **120**. In some embodiments, force damper **100** further comprises securing line **144** selected from the group of: a rope, a cable, and/or a tether, and securing line **144** may in turn be connected to a harness and/or a belt. Subsequently, the object to be secured, e.g., a worker, a tool, a container, etc., is secured directly to the rope, cable and/or tether, or alternatively, secured directly to the harness and/or belt. It should be appreciated that securing line **144** is depicted as a rope only and that the structure and form of a cable and/or a tether are readily apparent to one having ordinary skill in the art and therefore depiction in the figures is unnecessary. Similarly, depiction of a subsequent harness and/or belt is also unnecessary. It should be further appreciated that various types of securing lines are more suitable for the present force damper, e.g., stretchable and/or shock absorbing ropes, as additional force may be damped by

these types of securing lines. However, including such types of securing lines is not required.

[0024] In some embodiments form the prior art, stop **130** extends perpendicularly from shaft **128** towards first and second resilient members **106** and **108**, respectively. As such, it should be appreciated that stop **130** is positioned between first and second resilient members **106** and **108**, respectively, and second surface **116**.

[0025] In some embodiments form the prior art, first and second resilient members **106** and **108**, respectively, are formed from a resilient polymer, a leaf spring, a shock absorber, and/or a compression spring, e.g., compression spring **146**. In some of these embodiments, resilient members **106** and **108** are compression spring **146**, and in some of these embodiments, compression spring **146** is formed from a chrome silicon steel material. In some embodiments, the compression springs described herein are between 10.16-30.48 cm. In some embodiments, the compression springs described herein may be formed from elastomeric compounds such as elastomeric plastics, etc.

[0026] Although the foregoing clearly sets forth the structure and function of various embodiments of the present force damper, a further description of the components of one of the embodiments may be helpful to further understand how the device functions. In various embodiments form the prior art, force damper **100** may include a variety of additional components and such components are not required in all embodiments.

[0027] In view of the foregoing, force damper **100** may include plate **148**, reinforcement plate **136**, plate **142**, tubes **138**, stop **130**, tube **150**, shaft **128**, resilient members **106** and **108**, and connection points **118** and **132**. When all of the foregoing components are included in force damper **100**, the following non-limiting arrangement is just one of the possibilities. Tubes **138** partially enclose resilient members **106** and **108**. Tubes **138** are passed through openings **152** and **154** in plate **148** and subsequently through openings **156** and **158** in reinforcement plate **136** until ends **160** of tubes **138** abut plate **142**. Connection point **118** is fixedly secured to plate **148**. Stop **130**, which is secured to end **124** of shaft **128**, is positioned within openings **140** of tubes **138** and between resilient members **106** and **108** and plate **148**. The foregoing arrangement permits the linear movement of stop **130** against resilient members **106** and **108** when force damper **100** is arresting a first force imparted by an object moving in a first direction. Reinforcement plate **136** may further include opening **162** wherein tube **150** is passed until it abuts plate **142**. Tube **150** provides an unrestricted passage for shaft **128** during its linear displacement. Moreover, the combination of reinforcement plate **136**, tube **150** and plate **142** strengthens the overall structure of force damper **100**. Plate **142** may include through bore **120** adjacent to the abutment of tube **150**. Through bore **120** provides access to second end **126** of shaft **128** and thereby a means to secure connection point **132** to shaft **128**. As can be appreciated in view of the foregoing, the

pathway of force through the device is: connection point **118** to plate **148** to tubes **138** to plate **142** to resilient members **106** and **108** to stop **130** to shaft **128** to connection point **132**. It is this arrangement that permits the damping of force between connection points **118** and **132**, in this particular embodiment from the prior art.

[0028] The foregoing arrangement results in a force damper that solves problems presented by regulatory agencies and worker safety concerns, i.e., a force damper in a fall mitigation system should only be used one time. The foregoing embodiments provide force damping over a reduced range of travel, e.g., the present force damper travels approximately three to six inches (7.6 to 15.2 cm) while absorbing the force of a falling object. Heretofore, existing force damping systems required far greater distance to damp the force of a falling object, e.g., two and a half to three feet (76.2 to 91.4 cm). It should be appreciated that the present force damper system may be configured to travel lesser or greater lengths depending on the needs of the system. All the various resilient members described above may provide some elastic deformation, the resilient members are selected for particular falling masses that will always impart plastic deformation on at least one of the resilient members while they arrest a first force imparted by an object moving in a first direction. For example, one set of resilient members may be rated for arresting the force created by a falling object ranging from 100 kilograms (kg) to 150 kg, while a different set of resilient members may be rated for falling objects ranging from 150 kg to 200 kg. It is critical that at least one of the resilient members experiences plastic deformation so that single use of each the devices can be ensured. The plastic deformation of at least one of the resilient members with no return to its original shape/size provides a readily observable characteristic of the present force damper that ensures a user of the device can determine if it has been previously used for its intended purpose, i.e., arresting the force created by an object moving in a first direction.

[0029] Referring now to FIGS. 18-24, present embodiments of a force damper include, for example, one or more resilient members used in association with a so-called Belleville washer having a frustoconical shape, driving member shafts including accordion-like sinusoidal-like, or helical-like portions that may be elongated and plastically deformed upon application of a force to thereby attenuate the force applied thereto, or so-called compressible/collapsible/compactible crumple zones configured to be compressed/collapsed/compact to thereby absorb/attenuate a force applied to the driving member shaft. It should be appreciated that while FIGS. 18-24 primarily illustrate embodiments of a force damper comprising a single housing and single driving member, etc., such embodiments comprise can more than a single housing and driving member shaft, and, for example, may comprise so-called dual-housing type embodiments.

[0030] As shown in FIG. 17 (not part of the invention), for example, force damper **200A** is arranged to progres-

sively arrest a first force imparted by an object moving in a first direction, i.e., the direction depicted by arrow **202**. Force damper **200A** comprises housing **204**, driving member **206** and resilient member **208**. Housing **204** comprises first end **216** and second end **218** and may be fabricated from materials such as steel, aluminum, other lightweight metals, fiberglass, carbon fiber, composites, or combinations thereof. First end **216** includes first surface **220**, second surface **222** opposite first surface **220** and first connection point **224** connected to housing **204**, for purposes of, for example, securing the force damper to a fixed structure or a fall arrest apparatus. Second end **218** includes through bore **226** and third surface **230** oppositely disposed relative to second surface **222**. Driving member **206** comprises first end **232**, a second end **234** and driving member shaft **236** therebetween. First end **232** comprises driving member stop **238** and second end **234** comprises second connection point **240** for purposes of, for example, securing an object or person thereto by means of a rope, cable, webbing, lanyard, tear-away lanyard, etc. (not shown). Resilient member **208** is formed from a material that at least partially undergoes plastic deformation when the first force is arrested. Resilient member **208** is disposed between driving member stop **238** and third surface **230** of housing end wall **228** and imparts a second force on driving member stop **238** toward second surface **222** and on second end **218** toward third surface **230**, as depicted by bi-directional arrow **242**.

[0031] Housing **204** encloses resilient member **208**. In some embodiments, one or more of first end **216** and second end **218** of housing **204** can comprise one or more semi-resilient members **212**. Semi-resilient members **212** comprise a through bore allowing driving member shaft **236** to pass therethrough. In some of these embodiments, semi-resilient members **212** are formed from a urethane material which serves to further attenuate a force applied to the driving member **206**. In some embodiments, semi-resilient member **212** is composed of 60 durometer urethane, or like compound, having a thickness between 9.525-12.7 mm. Thus, semi-resilient members **212** may provide force damping in addition to that of resilient member **208**. As shown in FIG. 17, a force damper may further include a so-called Belleville washer **214**, which is disposed within housing **204** between driving member stop **238** and end wall **228** of housing **204**. Belleville washer **214** has a frustoconical shape and includes a through bore allowing the driving member shaft **236** to pass therethrough. Belleville washer **214** can be formed from a plastically deformable material with no return to its original shape/size, such as a metal, plastics, polymers, from sacrificial/fracturable/frangible materials, or combinations thereof so as to provide a readily observable characteristic as to whether the force damper has been subject to prior use. Along this line, housing **204** may include a viewing window or slit proximate the location of Belleville washer **214** so to allow ready inspection thereof. It should be appreciated that while FIG.

17 illustrates Belleville washer **214** as being disposed between semi-resilient member **212** and end wall **228** of second end **218** of housing **204**, it may be positioned otherwise within housing **204** and at any position between end wall **228** and driving member stop **238**. In some cases, Belleville washer **214** can be formed of an elastically deformable material that returns to its original shape. Additionally, while FIG. 17 illustrates Belleville washer **214** being positioned such that its concave side is disposed toward end wall **218**, it may be positioned such that its concave side is oppositely positioned toward driving member stop **238**. Also, while only a single Belleville washer **214** is shown in FIG. 17, more than one Belleville washer **214** may be utilized depending upon the specific application, i.e., the object and/or the amount of force to be attenuated/arrested. Where more than one Belleville washer **214** is utilized, they may be positioned to contact one another in a stacked, or nested-type arrangement, positioned such that they contact one another but do not nest with one another, positioned in such a way that they do not contact one another, e.g. on opposite ends of housing **204**, or combinations thereof depending upon the specific application.

[0032] Resilient member **208** can be a resilient polymer, a leaf spring, a shock absorber, and/or a compression spring, e.g., compression spring **210**. Resilient member **208** can be a compression spring **210**, which can be formed from a chrome silicon steel material. The compression springs described herein are between 10.16 - 30.48 cm. The compression springs described herein may be formed from elastomeric compounds such as elastomeric plastics, etc.

[0033] Force damper **220A** further comprises a securing line (not shown) selected from the group of: rope, cable, webbing, tether, lanyard, tear-away lanyard, combinations thereof, etc., and the securing line may in turn be connected to a harness and/or a belt. Subsequently, the object to be secured, e.g., a worker, a tool, a container, etc., is secured directly to the securing line rope, cable and/or tether, or alternatively, secured directly to the harness and/or belt. It should be further appreciated that various types of securing lines may be more suitable for the present force damper, e.g., stretchable and/or shock absorbing ropes, tear away lanyards, as additional force may be damped by these types of securing lines. However, including such types of securing lines is not required.

[0034] As shown in FIGS. 18A - 20, force dampers **200B - 200D** are substantially similar to force damper **220A**, but are primarily different in that they include differently configured driving member shafts **236**, which are configured to be elongated upon application of a sufficient force in the first direction **202**. That is, as force dampers **200A - 200D** include similar structural elements, discussion of such similar structural elements is not re-presented herein, and the following description is substantially limited to a discussion of the differences between embodiments **200A - 200D**.

[0035] As shown in FIGS. 18A - 20 force dampers **200B - 200D** are generally configured to comprise plastically deformable and elongatable driving member shafts **236** including accordion/sinusoidal/helical-like portions **237** positioned between driving member first end **232** and driving member second end **234**. As may be appreciated, the driving member shaft **236** can be formed from a plastically deformable material that does not allow return to its original shape/size, such as a metal or certain polymers, from other sacrificial/non-reusable materials, or combinations thereof so as to provide a readily observable characteristic as to whether the force damper has been subject to prior use. As may be further appreciated, housing **204** may include a viewing window or slit proximate location of accordion/sinusoidal/helical-like portions **237** so to allow ready inspection thereof (not shown) such that operational state may be readily determined. In some aspects, however, driving member shafts **236** may be elastically deformable such that they substantially return to their original shapes.

[0036] As also shown in FIGS. 18A - 20, the driving member shafts **236** including accordion/sinusoidal/helical-like portions **237** can be formed from a generally flat stock and include accordion-like folded/pleated portions **237** in the case of FIGS. 18A and 18B, square sinusoidal-type portions **237** in the case of FIG. 19, and helical-type portions **237** in the case of FIG. 20. As may be appreciated from FIGS. 18A and 18B, for example, prior to a force being applied to driving member shaft **236** including accordion-like folded/pleated portions **237** in first direction **202**, accordion-like folded/pleated portions **237** are maintained in a so-called start position. However, as shown in FIG. 18B, upon application of a sufficient force, accordion-like folded/pleated portions **237** become elongated and are plastically deformed at the ending position shown by way of example in FIG. 18B. Such elongation and plastic deformation serves to both further attenuate/dampen the force applied in the first direction, that may result from a falling object or person, and in the case of plastic deformation, also serves as an indicator that the force damper has been previously utilized. While not shown in any of FIGS. 18A - 20, driving member shafts **236** including accordion-like folded/pleated portions **237** can also be configured to include, for example, markings, colored markings, knurling, etching, etc. along a length thereof, for example, proximate through bore **226** of housing, to show whether the force damper has been previously utilized and the driving member shafts **236** elongated and subject to plastic deformation. For example, where the force damper has not been utilized, a colored marking proximate through bore **226** could be green in color to show that the force damper remains available for use, or red to indicate that it has been previously used and should be discarded. Additionally, it should be further appreciated that driving member shafts **236** including accordion/sinusoidal/helical-like portions **237** can be formed of stock of varying thickness and/or varying number of folds/pleats/turns based on the particular ap-

plication and/or object that is secured thereto. In some embodiments, the driving member shafts **236** are formed from 1/8" steel. Furthermore, as shown in FIGS 18A - 20, force dampers including driving member shafts **236** including accordion/sinusoidal/helical-like portions **237** can also optionally include semi-resilient members **212** and/or Belleville washers **214** (as shown by the dashed lines in such figures).

[0037] Turning now to FIGS. 21A and 21B, force damper 200E, and other embodiments of force dampers described herein, may be configured to comprise a so-called collapsible/compressible/compactable crush zone configured to reduce or attenuate the amount of force applied in first direction **202**. As shown by way of example in FIGS 21A and 21B, force damper **200E** can be configured to include driving member **206** having a driving member stop 238 having a tapered shape for purposes of contacting a collapsible/compressible/compactable tapered wall **244** of housing **204**. As shown in such figures, collapsible/compressible/compactable tapered wall **244** can include, for example, channels or interstitial portions **248** disposed between structural portions **244** thereof such that upon action by the tapered driving member stop **238**, such walls may collapse/compress/compact upon themselves and/or may be partially directionally disposed toward second end **218** as shown in FIG. 21B. As may be appreciated, such so-called collapsible/compressible/compactable crush zones may be configured to comprise a structural member of the housing, e.g., a wall of the housing itself, or may be configured to comprise a member or zone secured, disposed on, or adhered to an inner wall of housing **204**. As may be further appreciated, collapsible/compressible/compactable zone **244** may be formed of metals, polymers, foams, resilient materials, fracturable or frangible materials, or combinations thereof. Additionally, while FIGS. 21A and 21B illustrate a force damper as comprising a so-called collapsible/compressible/compactable crush zone only, such zones may be used in association with one or more of the force damper embodiments or aspects thereof previously discussed herein. Walls of the housing and/or tapered wall **244** may also be configured in a stepped fashion, for example, to ensure that a collapsible/compressible/compactable member or zone secured, disposed on, or adhered to an inner wall of housing **204** is not dislodged as a result of the application of a force in the first direction.

[0038] Referring now to FIGS. 22 - 24, which are graphical illustrations of drop tests performed according ANSI Z359 requirements in order to assess the dampening or attenuation of force provided by force dampers in accordance with the instant disclosure. A pound is equal to 0.4536 kg. In each of the drop tests of FIGS 22 - 24, a 282 pound weight was utilized, the weight dropped from a same height free and clear of obstructions, and each force damper included a driving member shaft including an accordion-like folded portion as shown, for example, in FIGS. 18A and 18B. In some tests, one or more of a

Belleville washer and/or one or more urethane semi-resilient members were utilized. As shown in FIG. 22, a dual housing/double spring force damper utilizing a 25.4 cm tear away/ripstop-type lanyard exhibited a Maximum Arresting Force (MAF) = 1728.1 pounds and an Average Arresting Force (AAF) = 854.6 pounds. As shown in FIG. 23, a single housing/single spring force damper utilizing a 25.4 cm tear away/ripstop-type lanyard exhibited a Maximum Arresting Force (MAF) = 1240.8 pounds and an Average Arresting Force (AAF) = 808.9 pounds. Finally, as shown in FIG. 24, a dual housing/double spring force damper utilizing a 30.48 cm tear away/ripstop-type lanyard exhibited a Maximum Arresting Force (MAF) = 1172.1 pounds and an Average Arresting Force (AAF) = 781.4 pounds. The aforementioned tests indicate that a force damper in accordance with instant disclosure comprises an improvement over currently known force dampers.

[0039] Thus, it is seen that the objects of the present invention are efficiently obtained, although modifications and changes to the invention should be readily apparent to those having ordinary skill in the art, which modifications are intended to be within the scope of the invention as claimed. It also is understood that the foregoing description is illustrative of the present invention and should not be considered as limiting.

Parts List

30	[0040]	
50	Force Damper	
51	1 st Direction/Force	
52	Housing	
35	54	Driving Member
56	Resilient Member	
58	1 st End	
60	2 nd End	
62	1 st Surface	
40	64	2 nd Surface
66	1 st Connection Point	
68	Through bore	
70	3 rd Surface	
72	Driving Member 1 st End	
45	74	Driving Member 2 nd End
76	Driving Member Shaft	
78	Driving Member Stop	
80	2 nd Connection Point	
82	2 nd Direction/Force	
50	84	Block
86	Compression Spring	
88	Securing Line	
100	Force Damper	
101	Direction/Force	
55	102	Housing
104	Driving Member	
106	1 st Resilient Member	
108	2 nd Resilient Member	

110	Housing 1 st End		
112	Housing 2 nd End		
114	1 st Surface		
116	2 nd Surface		
118	1 st Connection Point	5	
120	Through bore		
122	3 rd Surface		
124	Driving Member 1 st End		
126	Driving Member 2 nd End		
128	Driving Member Shaft	10	
130	Driving Member Stop		
132	2 nd Connection Point		
134	2 nd Direction/Force		
136	Reinforcement Plate		
138	Tube(s)	15	
140	Tube Open Portion		
142	2 nd End Plate		
144	Securing Line		
146	Compression Spring		
148	1 st End Plate	20	
150	Tube		
152	Opening		
154	Opening		
156	Opening		
158	Opening	25	
160	Tube 138 End		
162	Opening		
200A - 200E	Force Damper		
202	1 st Direction/Force		
204	Housing	30	
206	Driving Member		
208	Resilient Member		
210	Compression Spring		
212	Semi-Resilient Member (Washer)		
214	Belleville Washer	35	
216	1 st End		
218	2 nd End		
220	1 st Surface		
222	2 nd Surface		
224	1 st Connection Point	40	
226	Through Bore		
228	End Wall		
230	3 rd Surface		
232	Driving Member 1 st End		
234	Driving Member 2 nd End	45	
236	Driving Member Shaft		
237	Accordion/Sinusoidal/Helical-like Portion		
238	Driving Member stop		
240	2 nd Connection Point	50	
242	2 nd Direction/Force		
244	Collapsible/Compressible/Compactable Portion		
246	Structural Portion		
248	Interstitial Portion	55	

Claims

1. A force damper (200B, 200C, 200D, 200E) arranged to progressively arrest a first force imparted by an object moving in a first direction (202), the force damper (200B, 200C, 200D, 200E) comprising:

a housing (204) enclosure comprising a first housing end (216) and a second housing end (218), the first housing end (216) including a first connection point (224), and the second housing end (218) including an opening (226);
 a driving member (206) disposed within the housing (204) enclosure and comprising a first shaft end (232), a second shaft end (234), and a shaft (236) therebetween, the first shaft end (232) comprising a stop (238) and the second shaft end (234) comprising a second connection point (240);
 characterized by:

a compressible member (210) disposed within the housing (204) enclosure between the stop (238) and the opening (226), the compressible member (210) exhibiting partial plastic deformation when the first force (202) is arrested and imparts a second force (242) on the stop (238) toward first housing end (216); and
 wherein, the driving member shaft (236) includes an elongatable portion (237) disposed between the first shaft end (232) and the second shaft end (234), which is elongatable in the first direction (202) upon application of sufficient force in the first direction (202) to deform the elongatable portion; wherein, the elongatable portion (237) comprises one or more of a zig-zag region, a sinusoidal region, or a helical region; and, wherein the elongatable portion (237) is plastically deformable.

2. The force damper (200B, 200C, 200D) of Claim 1, wherein the compressible member comprises (210) one or more of a compression spring (210), a semi-resilient member (212), a Belleville-type washer (214), or a collapsible/compressible/compactable crush zone (244).

3. The force damper (200B, 200C, 200D) of Claim 2, comprising the compression spring (210), the semi-resilient member (212), and the Belleville-washer (214), the second housing end (218) opening comprising a through bore (226) in an end wall (228) thereof, and the second shaft end passes through the through bore (226).

4. The force damper (200B, 200C, 200D) of Claim 3,

wherein the semi-resilient member (212) and the Belleville washer (214) are disposed between the stop (238) and the end wall (228).

5. The force damper (200B, 200C, 200D) of claim 4 comprising first and second semi-resilient members (212), wherein the first semi-resilient member (212) is disposed between a first terminal end (216) of the compression spring (210) and the stop, and the second semi-resilient member (212) is disposed between a second terminal end (218) of the compression spring (210) opposite the first end (216), and the endwall (228). 5
6. The force damper (200B, 200C, 200D) of claim 1, wherein the compressible member comprises a compression spring (210) disposed about the shaft (236). 10
7. The force damper (200B, 200C, 200D) of claim 6, further comprising first and second semi-resilient members (212), wherein the first semi-resilient member (212) is disposed between a first terminal end (216) the compression spring (210) and the stop, and the second semi-resilient member (212) is disposed between a second terminal end (218) of the compression spring (210) opposite the first end (216) and an endwall (228) of the second housing end. 15
8. The force damper (200E) of claim 1, wherein the compressible member comprises a collapsible/compressible/compactable crush zone (244) composed of a structurally normal portion and a structurally weakened portion that is weakened relative to the structurally normal portion. 20
9. The force damper (200E) of claim 1, wherein the compressible member comprises a collapsible/compressible/compactable crush zone (244) composed of a structural portion (246) and an interstitial portion (248). 25
10. The force damper (200E) of claim 9, wherein the structural portion (246) and the interstitial portion (248) form a cellular matrix formed of one or more materials that are frangible, or plastically or elastically deformable by the stop upon application of sufficient force in the first direction (202). 30
11. The force damper (200E) of claim 10, wherein the cellular matrix comprises a tapered wall structure disposed on an inner wall of the housing (204), the stop includes a tapered surface having a shape complementary to the tapered wall structure, and the cellular matrix is formed of one or more materials that are plastically deformable by the stop (238) upon application of sufficient force in the first direction (202). 35

12. The force damper (200E) of claim 10, wherein the cellular matrix is formed of one or more a metal, a polymer, rubber, foam, or combinations thereof. 40

Patentansprüche

1. Ein Kraftdämpfer (200B, 200C, 200D, 200E), der so angeordnet sind, dass er eine erste Kraft, die von einem sich in einer ersten Richtung (202) bewegendem Objekt ausgeübt wird, progressiv aufhält, wobei der Kraftdämpfer (200B, 200C, 200D, 200E) umfasst: 45

ein Gehäuse (204), das ein erstes Gehäuseende (216) und ein zweites Gehäuseende (218) umfasst, wobei das erste Gehäuseende (216) einen ersten Verbindungspunkt (224) aufweist und das zweite Gehäuseende (218) eine Öffnung (226) aufweist;

ein Antriebselement (206), das in der Umhüllung des Gehäuses (204) angeordnet ist und ein erstes Wellenende (232), ein zweites Wellenende (234) und eine dazwischen liegende Welle (236) umfasst, wobei das erste Wellenende (232) einen Anschlag (238) und das zweite Wellenende (234) einen zweiten Verbindungspunkt (240) aufweist;

gekennzeichnet durch:

ein komprimierbares Element (210), das in der Umhüllung des Gehäuses (204) zwischen dem Anschlag (238) und der Öffnung (226) angeordnet ist, wobei das komprimierbare Element (210) eine partielle plastische Verformung aufweist, wenn die erste Kraft (202) angehalten wird und eine zweite Kraft (242) auf den Anschlag (238) in Richtung des ersten Gehäuseendes (216) ausgeübt; und

wobei die Antriebselementwelle (236) einen verlängerbaren Abschnitt (237) aufweist, der zwischen dem ersten Wellenende (232) und dem zweiten Wellenende (234) angeordnet ist, der in der ersten Richtung (202) verlängerbar ist, wenn eine ausreichende Kraft in der ersten Richtung (202) angewendet wird, um den verlängerbaren Abschnitt zu verformen;

wobei der verlängerbare Abschnitt (237) einen oder mehrere von einem Zick-Zack-Bereich, einem sinusförmigen Bereich oder einem schraubenförmigen Bereich aufweist; und

wobei der verlängerbare Abschnitt (237) plastisch verformbar ist. 50

2. Der Kraftdämpfer (200B, 200C, 200D) nach An- 55

- spruch 1, wobei das komprimierbare Element (210) eines oder mehrere umfasst von einer Druckfeder (210), einem semielastischen Element (212), einer Tellerfeder (214) oder einer zusammenklappbaren! komprimierbaren! kompaktierbaren Knautschzone (244). 5
3. Der Kraftdämpfer (200B, 200C, 200D) nach Anspruch 2, umfassend die Druckfeder (210), das semielastische Element (212) und die Tellerfeder (214), wobei die Öffnung des zweiten Gehäuseendes (218) eine Durchgangsbohrung (226) in einer Endwand (228) davon aufweist und das zweite Wellenende durch die Durchgangsbohrung (226) hindurchgeht. 10
4. Der Kraftdämpfer (200B, 200C, 200D) nach Anspruch 3, wobei das semielastische Element (212) und die Tellerfeder (214) zwischen dem Anschlag (238) und der Stirnwand (228) angeordnet sind. 20
5. Der Kraftdämpfer (200B, 200C, 200D) nach Anspruch 4, umfassend erste und zweite semielastische Elemente (212), wobei das erste semielastische Element (212) zwischen einem ersten Anschlussende (216) der Druckfeder (210) und dem Anschlag angeordnet ist, und wobei das zweite semielastische Element (212) zwischen einem zweiten Anschlussende (218) der Druckfeder (210), das dem ersten Ende (216) gegenüber liegt, und der Endwand (228) angeordnet ist. 25
6. Der Kraftdämpfer (200B, 200C, 200D) nach Anspruch 1, wobei das komprimierbare Element umfasst eine Druckfeder (210) aufweist, die um die Welle (236) herum angeordnet ist. 30
7. Der Kraftdämpfer (200B, 200C, 200D) nach Anspruch 6, ferner umfassend erste und zweite semielastische Elemente (212), wobei das erste semielastische Element (212) zwischen einem ersten Anschlussende (216) der Druckfeder (210) und dem Anschlag angeordnet ist, und wobei das zweite semielastische Element (212) zwischen einem zweiten Anschlussende (218) der Druckfeder (210), das dem ersten Ende (216) gegenüber liegt, und einer Endwand (228) des zweiten Gehäuseendes angeordnet ist. 35
8. Der Kraftdämpfer (200E) nach Anspruch 1, wobei das komprimierbare Element eine zusammenklappbare / komprimierbare / kompaktierbare Knautschzone (244) umfasst, die aus einem strukturell normalen Abschnitt und einem strukturell geschwächten Abschnitt zusammengesetzt ist, der relativ zu dem strukturell normalen Teil geschwächt ist. 40
9. Der Kraftdämpfer (200E) nach Anspruch 1, wobei das komprimierbare Element eine zusammenklappbare / komprimierbare / kompaktierbare Knautschzone (244) umfasst, die aus einem strukturellen Abschnitt (246) und einem interstitiellen Abschnitt (248) zusammengesetzt ist. 45
10. Der Kraftdämpfer (200E) nach Anspruch 9, wobei der strukturelle Abschnitt (246) und der interstitielle Abschnitt (248) eine zelluläre Matrix bilden, die aus einem oder mehreren Materialien gebildet ist, die zerbrechlich oder durch den Anschlag bei Anwendung einer ausreichenden Kraft in der ersten Richtung (202) plastisch oder elastisch verformbar sind. 50
11. Der Kraftdämpfer (200E) nach Anspruch 10, wobei die zelluläre Matrix eine sich verjüngende Wandstruktur umfasst, die an einer Innenwand des Gehäuses (204) angeordnet ist, wobei der Anschlag eine sich verjüngende Oberfläche mit einer zu der sich verjüngenden Wandstruktur komplementären Form aufweist, und wobei die zelluläre Matrix aus einem oder mehreren Materialien gebildet ist, die durch den Anschlag (238) bei Anwendung einer ausreichenden Kraft in der ersten Richtung (202) plastisch verformbar sind. 55
12. Der Kraftdämpfer (200E) nach Anspruch 10, wobei die zelluläre Matrix aus einem oder mehreren der folgenden Bestandteile gebildet ist: ein Metall, ein Polymer, ein Gummi, ein Schaumstoff oder Kombinationen davon.

Revendications

1. Un amortisseur de force (200B, 200C, 200D, 200E) disposés de manière à arrêter progressivement un premier force exercée par un objet se déplaçant dans une première direction (202), l'amortisseur de force (200B, 200C, 200D, 200E) comprenant:
- une enceinte de boîtier (204) comprenant une première extrémité de boîtier (216) et une deuxième extrémité de boîtier (218), la première extrémité de boîtier (216) comprenant un premier point de connexion (224), et la deuxième extrémité de boîtier (216) comprenant une ouverture (226) ;
- un élément d'entraînement (206) disposé à l'intérieur de l'enceinte de boîtier (204) et comprenant une première extrémité d'arbre (232), une deuxième extrémité d'arbre (234) et un arbre (236) entre les deux, la première extrémité d'arbre (232) comprenant une butée (238) et la deuxième extrémité de l'arbre (234) comprenant un deuxième point de connexion (240);
- caractérisé par:**

- un élément compressible (210) disposé dans l'enceinte du boîtier (204) entre la butée (238) et l'ouverture (226), l'élément compressible (210) présentant une déformation plastique partielle lorsque la première force (202) est arrêtée et transmet une deuxième force (242) sur la butée (238) vers la première extrémité du boîtier (216); et dans lequel l'arbre de l'élément moteur (236) comprend une partie allongée (237) disposée entre la première extrémité de l'arbre (232) et la deuxième extrémité de l'arbre (234), qui est allongeable dans la première direction (202) lors de l'application d'une force suffisante dans la première direction (202) pour déformer la partie allongée; dans lequel la partie allongée (237) comprend une ou plusieurs des régions suivantes : une région en zig-zag, une région sinusoïdale, ou une région hélicoïdale; et, dans lequel la partie allongée (237) est plastiquement déformable.
2. L'amortisseur de force (200B, 200C, 200D) de la revendication 1, dans lequel l'élément compressible (210) comprend un ou plusieurs des éléments suivants : un ressort de compression (210), un élément semi-résilient (210), une rondelle de type Belleville (214) ou une partie d'écrasement pliable/ compressible/ compactable (244).
 3. L'amortisseur de force (200B, 200C, 200D) de la revendication 2, comprenant le ressort de compression (210), l'élément semi-résilient (212) et la rondelle Belleville (214), l'ouverture de la deuxième extrémité du boîtier (218) comprenant un alésage traversant (226) dans une de ses parois d'extrémité (228), et la deuxième extrémité de l'arbre passe à travers l'alésage traversant (226).
 4. L'amortisseur de force (200B, 200C, 200D) de la revendication 3, dans lequel l'élément semi-résilient (212) et la rondelle Belleville (214) sont disposés entre la butée (238) et la paroi d'extrémité (228).
 5. L'amortisseur de force (200B, 200C, 200D) de la revendication 4 comprenant de premier et deuxième éléments semi-résilients (212), dans lesquels le premier élément semi-résilient (212) est disposé entre une première extrémité terminale (216) du ressort de compression (210) et la butée, et le deuxième élément semi-résilient (212) est disposé entre une deuxième extrémité terminale (218) du ressort de compression (210) opposée à la première extrémité (216), et la paroi d'extrémité (228).
 6. L'amortisseur de force (200B, 200C, 200D) de la revendication 1, dans lequel l'élément compressible comprend un ressort de compression (210) disposé autour de l'arbre (236).
 7. L'amortisseur de force (200B, 200C, 200D) de la revendication 6, comprenant en outre un premier et un deuxième élément semi-résilient (212), dans lequel le premier élément semi-résilient (212) est disposé entre une première extrémité terminale (216) du ressort de compression (210) et la butée, et le deuxième élément semi-résilient (212) est disposé entre une deuxième extrémité terminale (218) du ressort de compression (210) opposée à la première extrémité (216) et une paroi d'extrémité (228) de la deuxième extrémité du boîtier.
 8. L'amortisseur de force (200E) de la revendication 1, dans lequel l'élément compressible comprend une partie d'écrasement (244) pliable/ compressible/ compactable composée d'une partie structurellement normale et d'une partie structurellement affaiblie par rapport à la partie structurellement normale.
 9. L'amortisseur de force (200E) de la revendication 1, dans lequel l'élément compressible comprend une partie d'écrasement pliable/ compressible/ compactable (244) composée d'une partie structurelle (246) et d'une partie interstitielle (248).
 10. L'amortisseur de force (200E) de la revendication 9, dans lequel la partie structurelle (246) et la partie interstitielle (248) forment une matrice cellulaire formée d'un ou de plusieurs matériaux qui sont fragiles ou déformable plastiquement ou élastiquement par la butée lors de l'application d'une force suffisante dans la première direction (202).
 11. L'amortisseur de force (200E) de la revendication 10, dans lequel la matrice cellulaire comprend une structure de paroi conique disposée sur une paroi intérieure du boîtier (204), la butée comprend une surface conique ayant une forme complémentaire à la structure de paroi conique, et la matrice cellulaire est formée d'un ou de plusieurs matériaux qui sont plastiquement déformables par la butée (238) lors de l'application d'une force suffisante dans la première direction (202).
 12. L'amortisseur de force (200E) de la revendication 10, dans lequel la matrice cellulaire est formée d'un ou de plusieurs des éléments suivants : un métal, un polymère, un caoutchouc, une mousse ou une combinaison de ceux-ci.

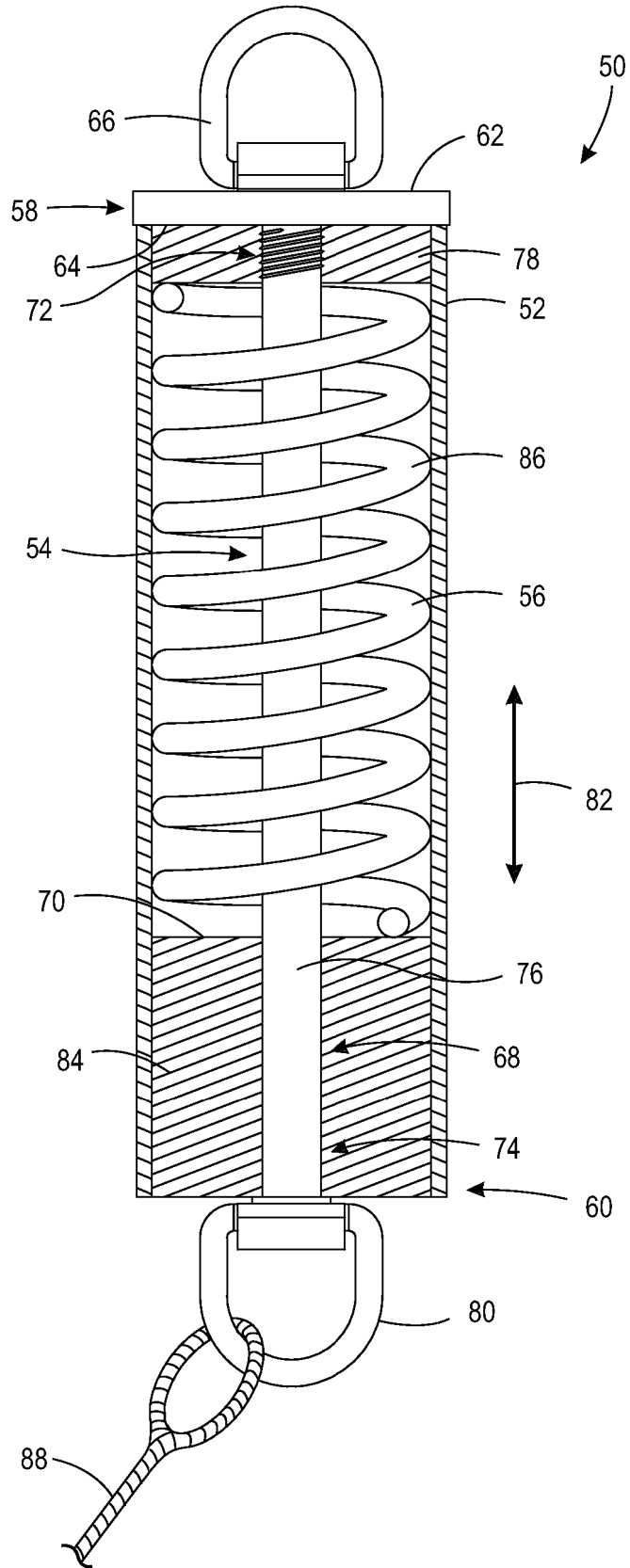


FIG. 1

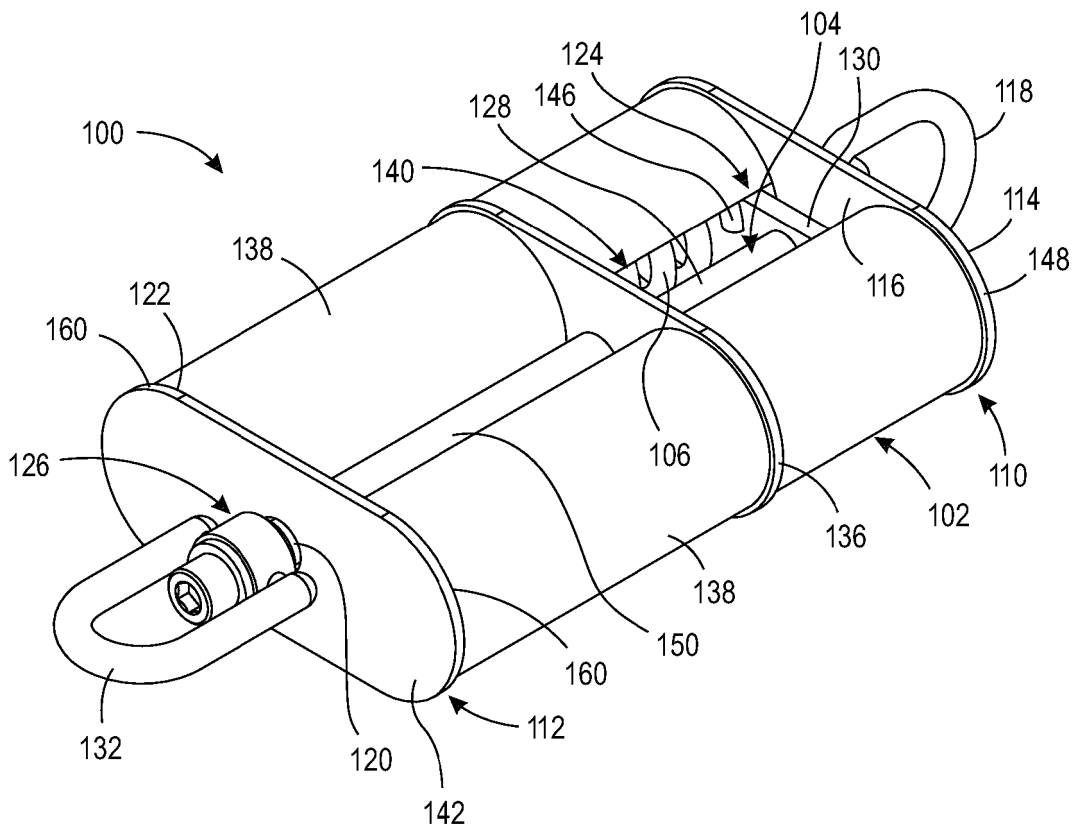


FIG. 2

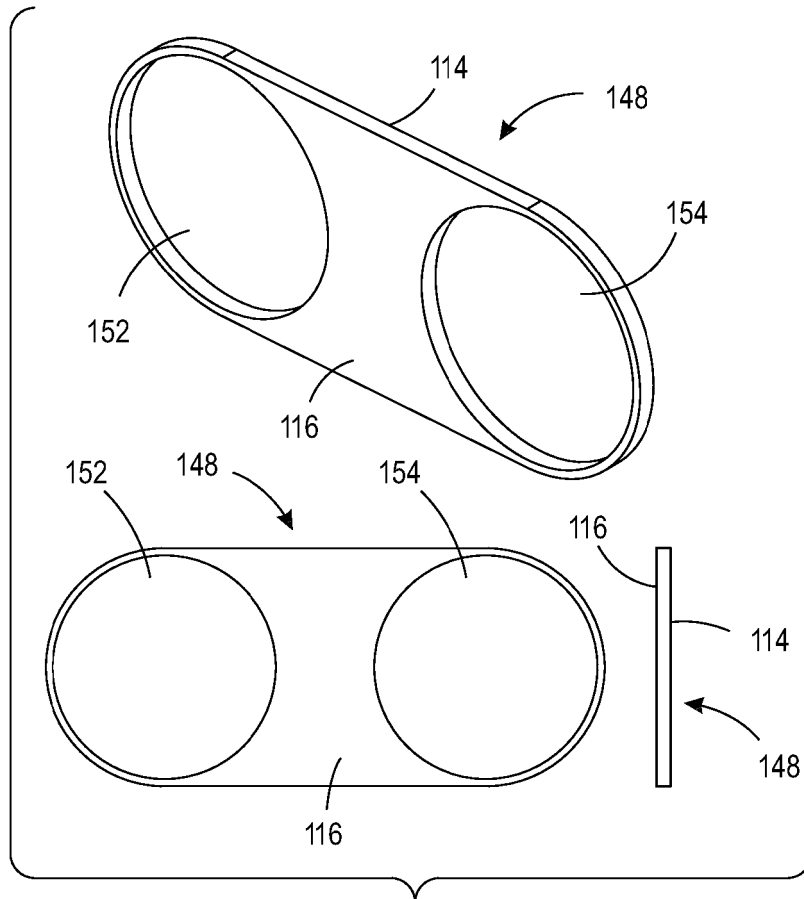


FIG. 3

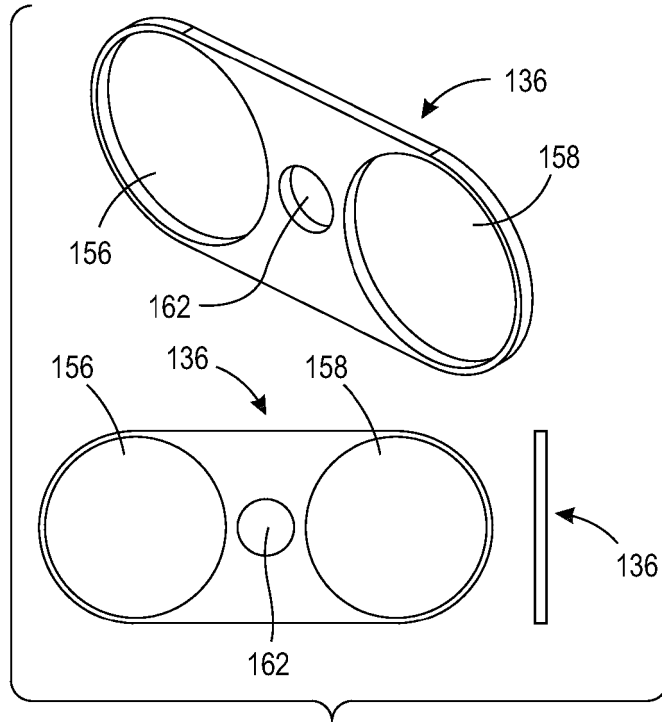


FIG. 4

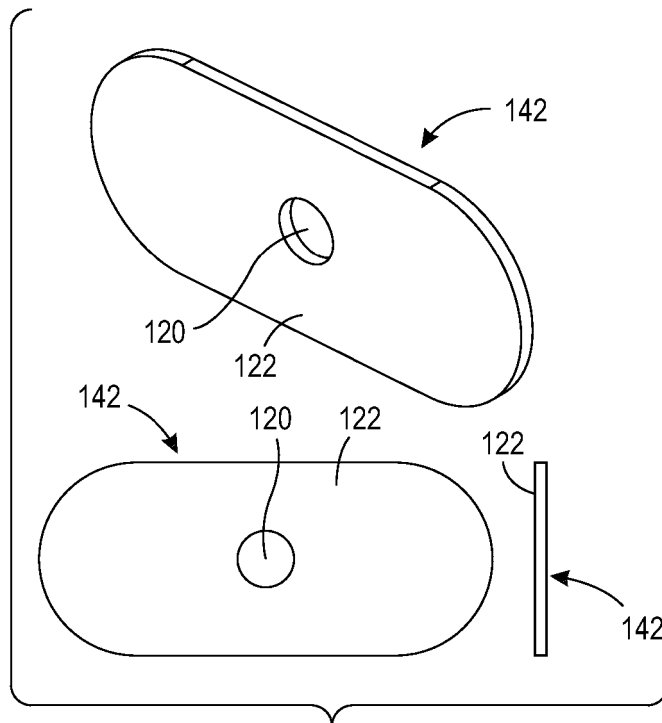


FIG. 5

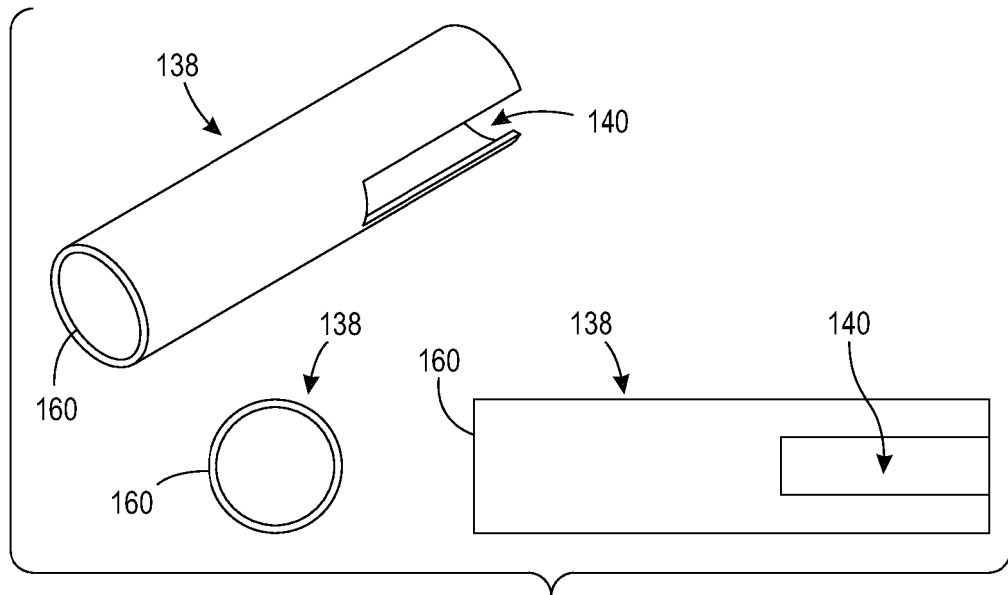


FIG. 6

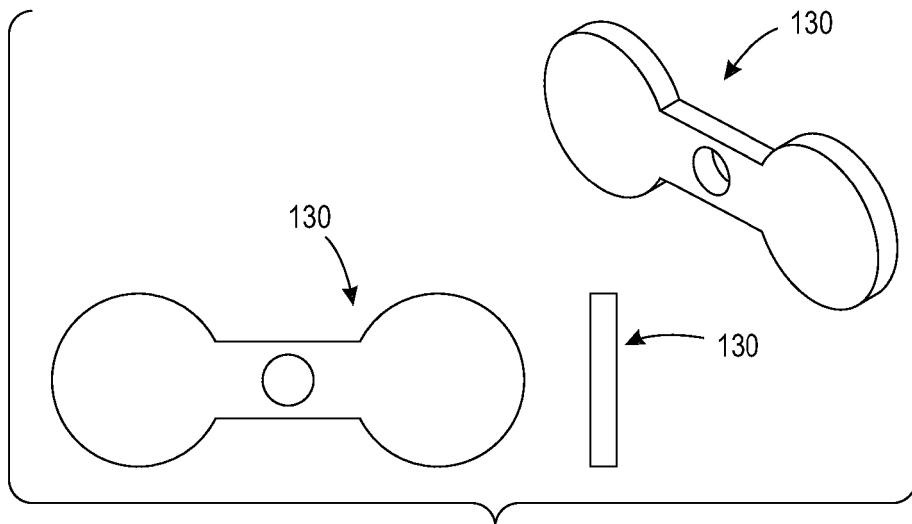


FIG. 7

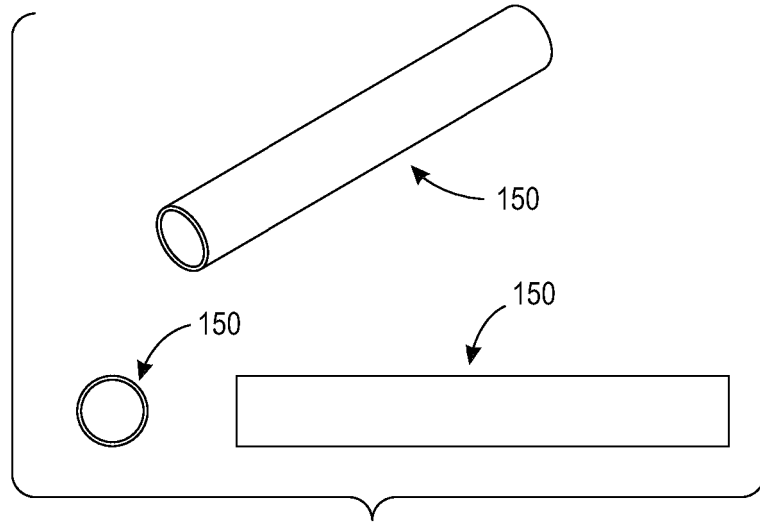


FIG. 8

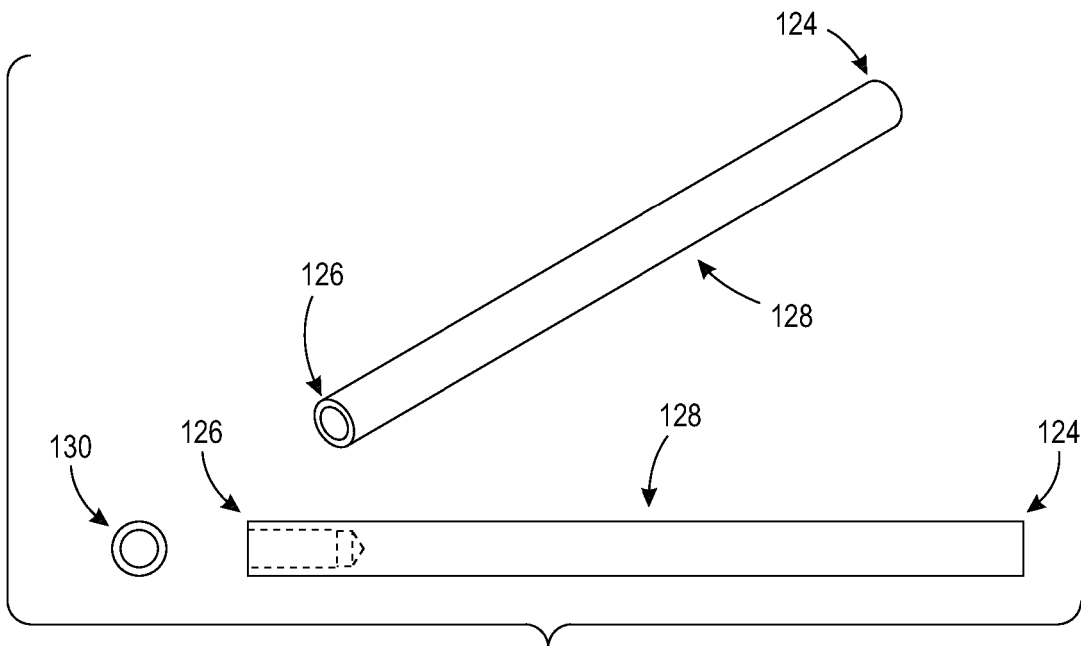


FIG. 9

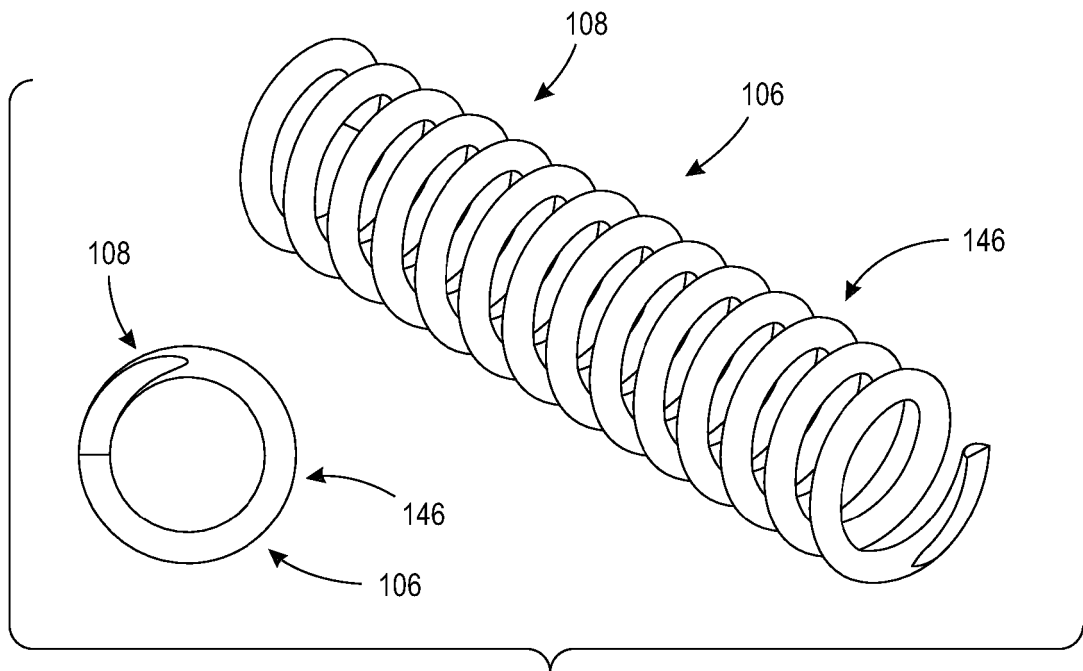


FIG. 10

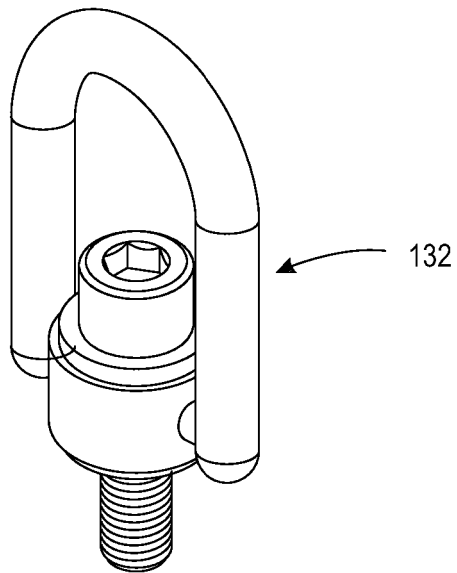


FIG. 11

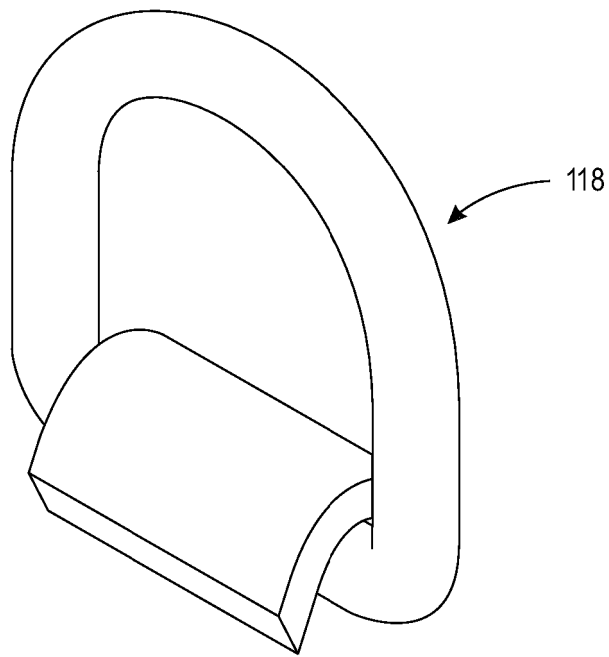


FIG. 12

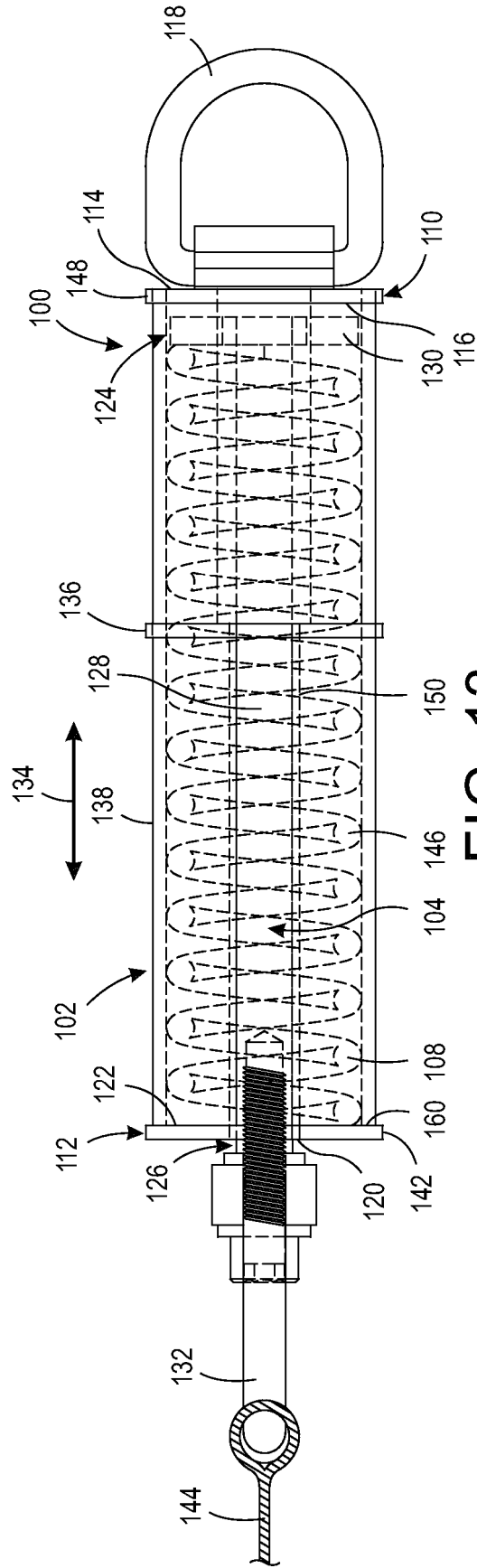


FIG. 13

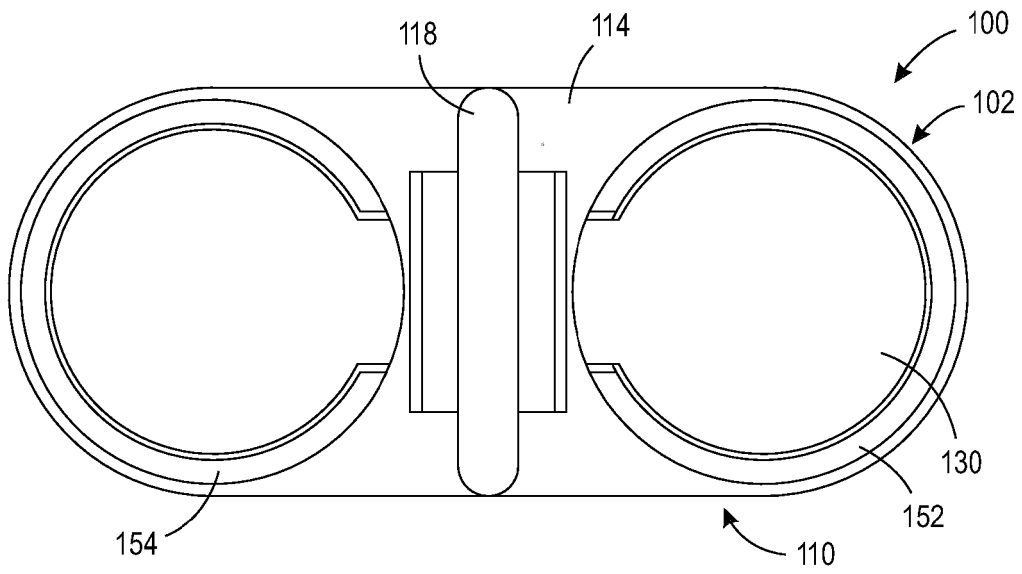


FIG. 14

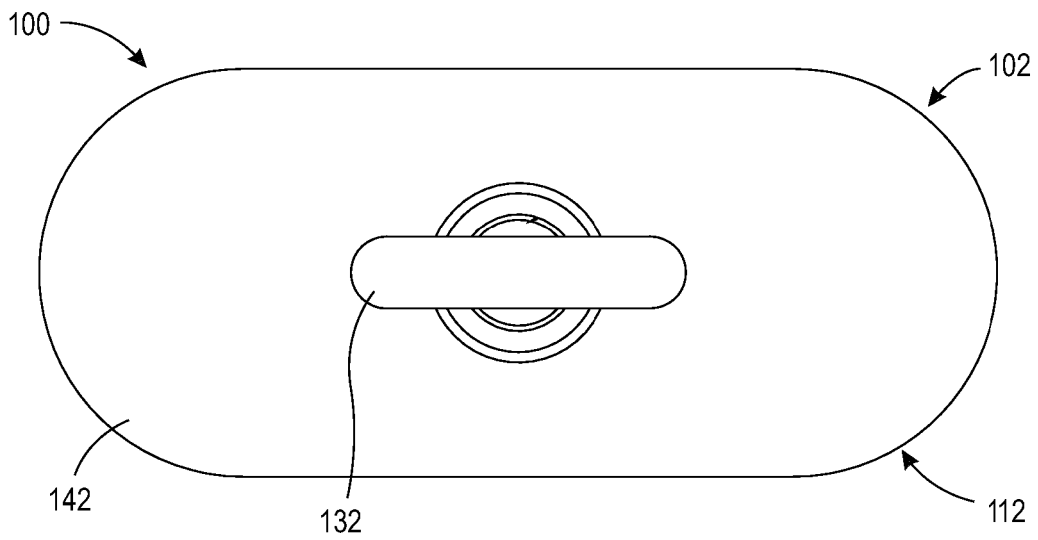


FIG. 15

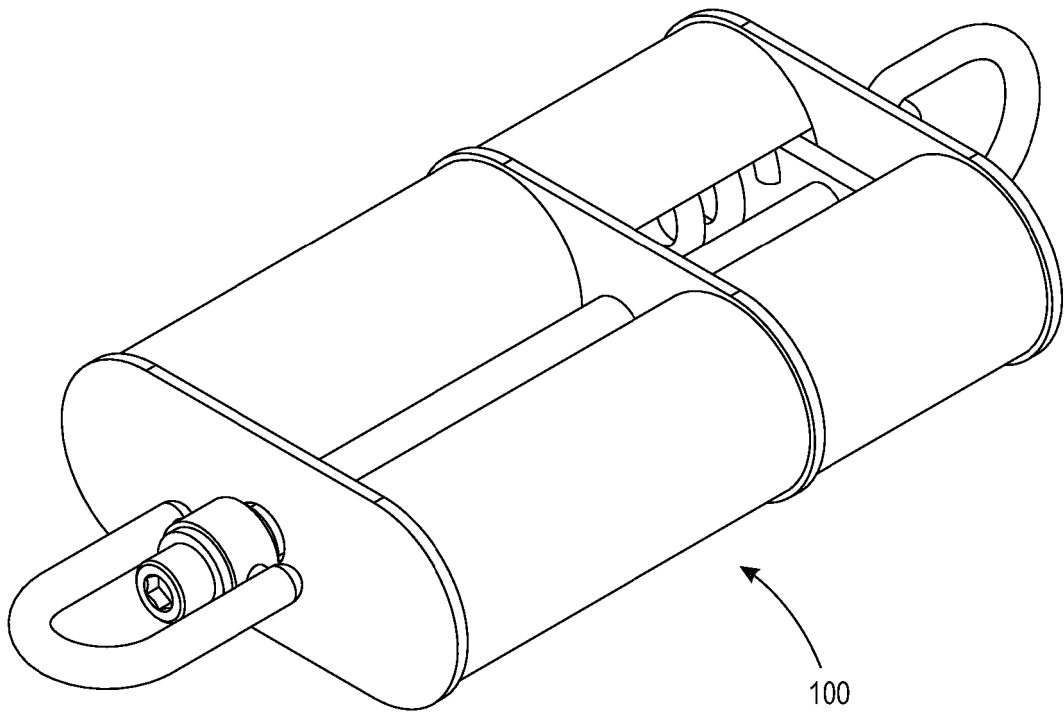


FIG. 16

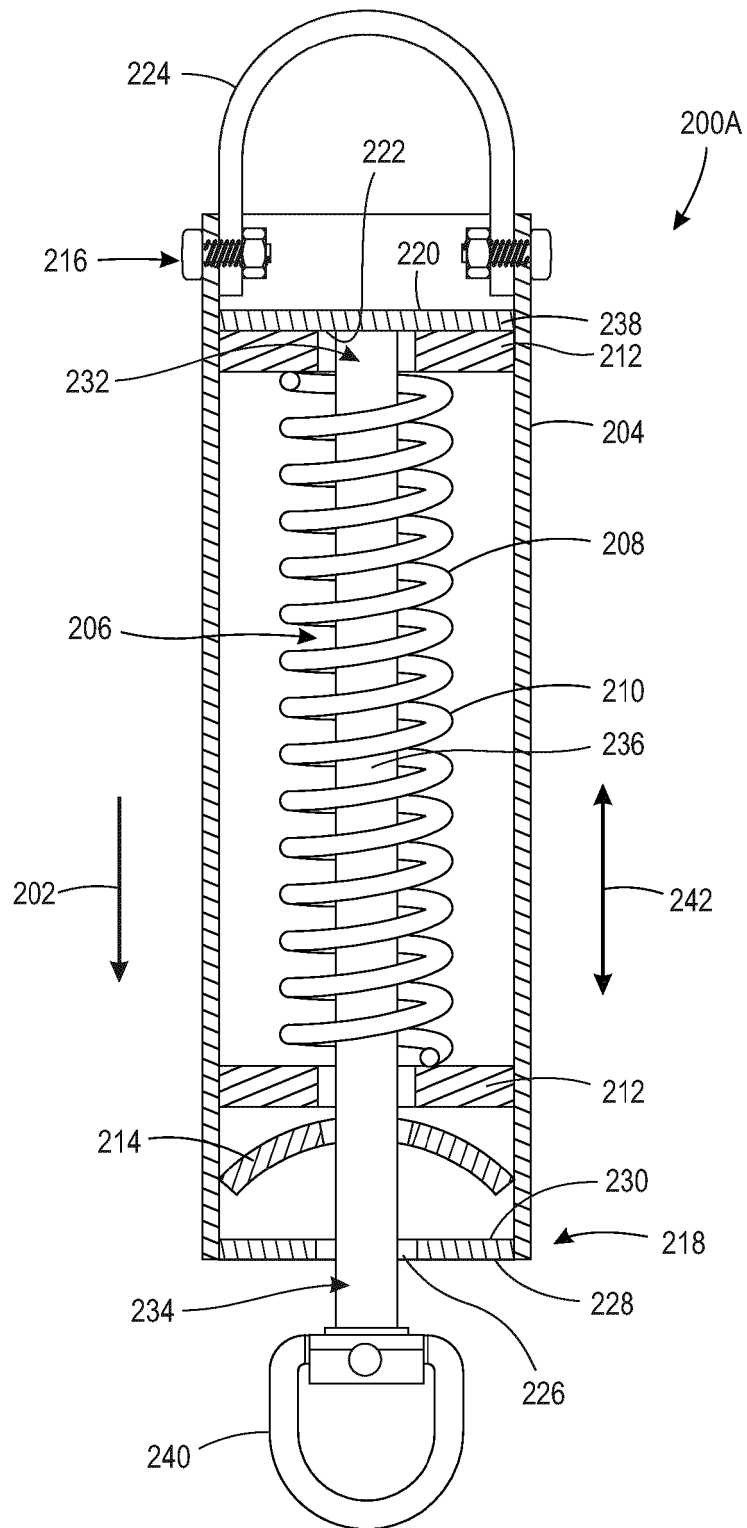


FIG. 17

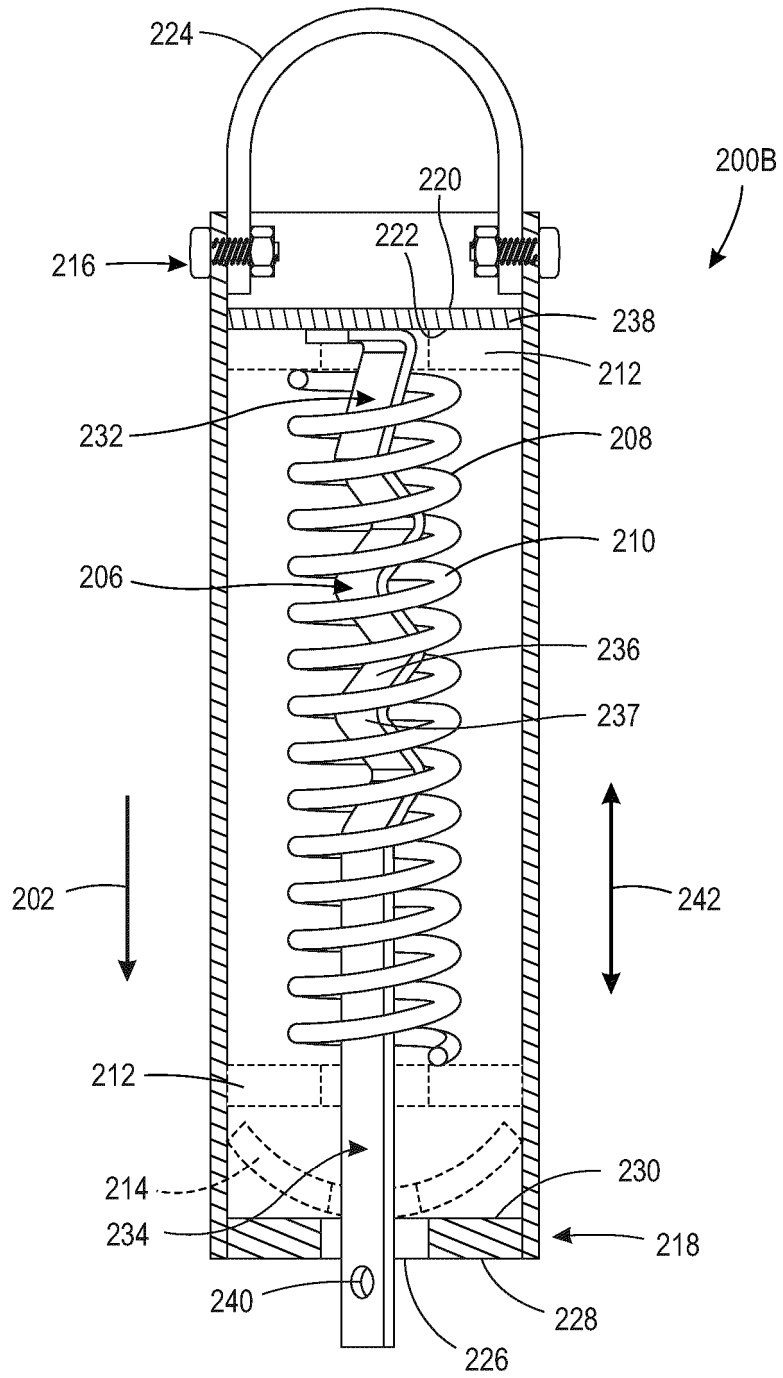


FIG. 18A

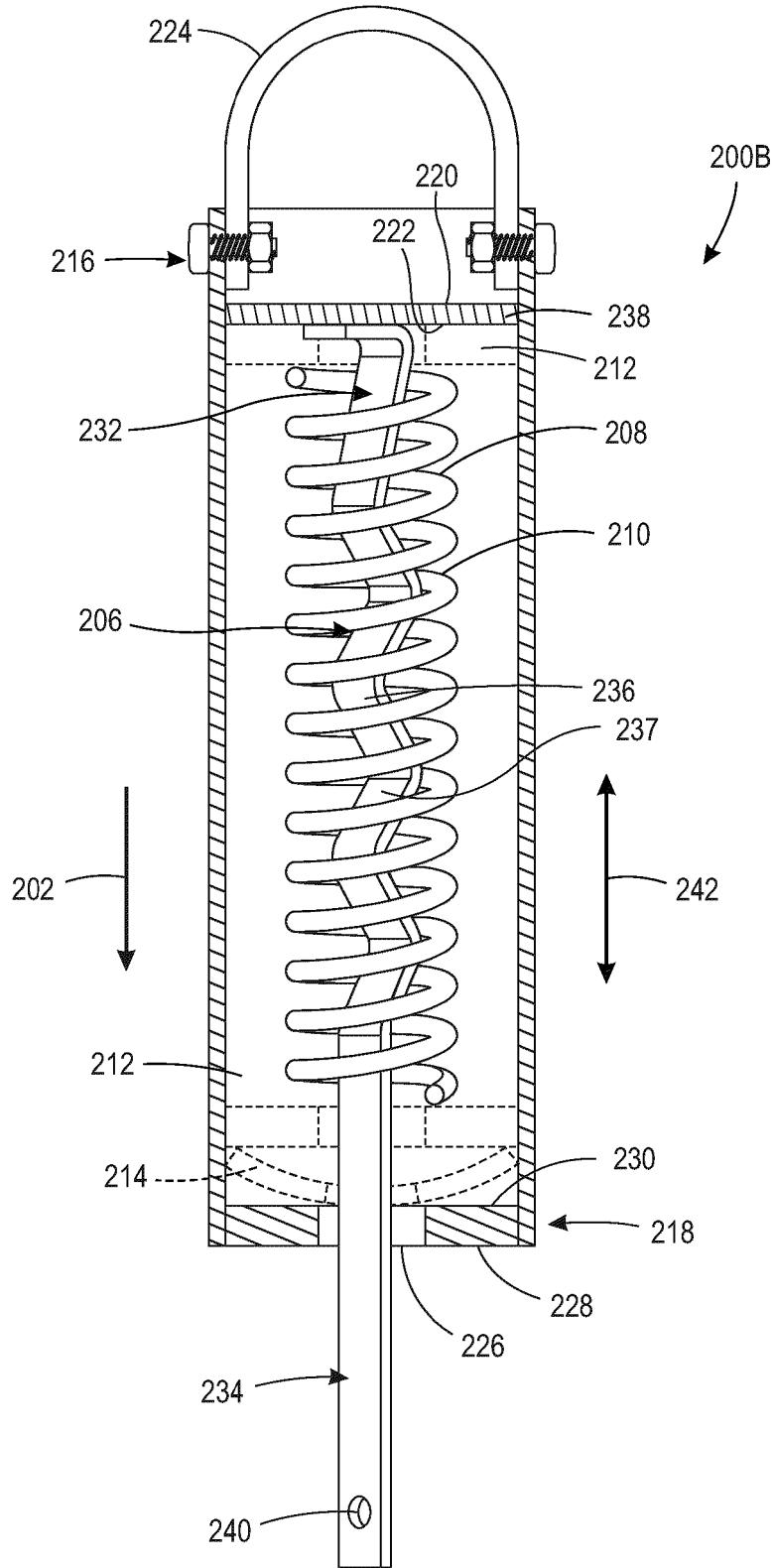


FIG. 18B

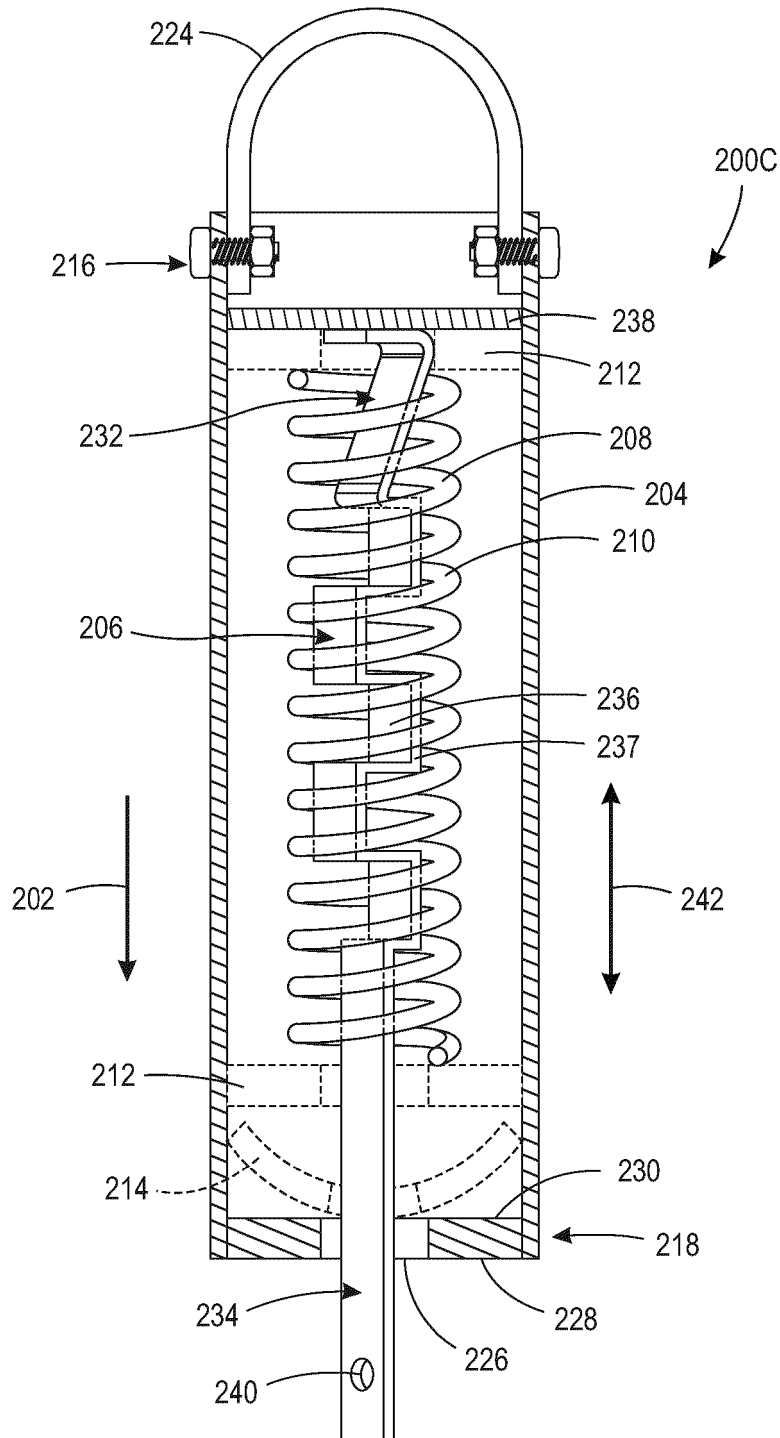


FIG. 19

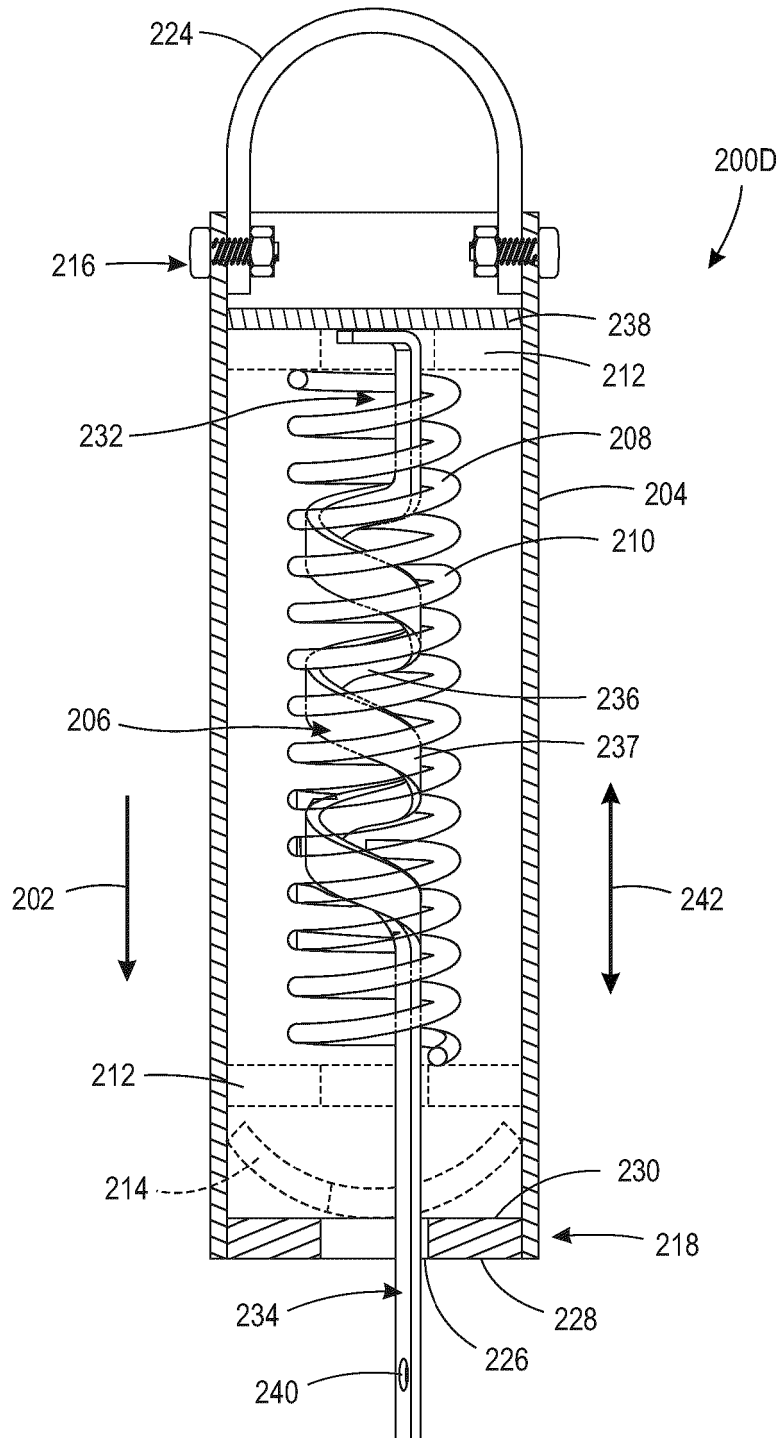


FIG. 20

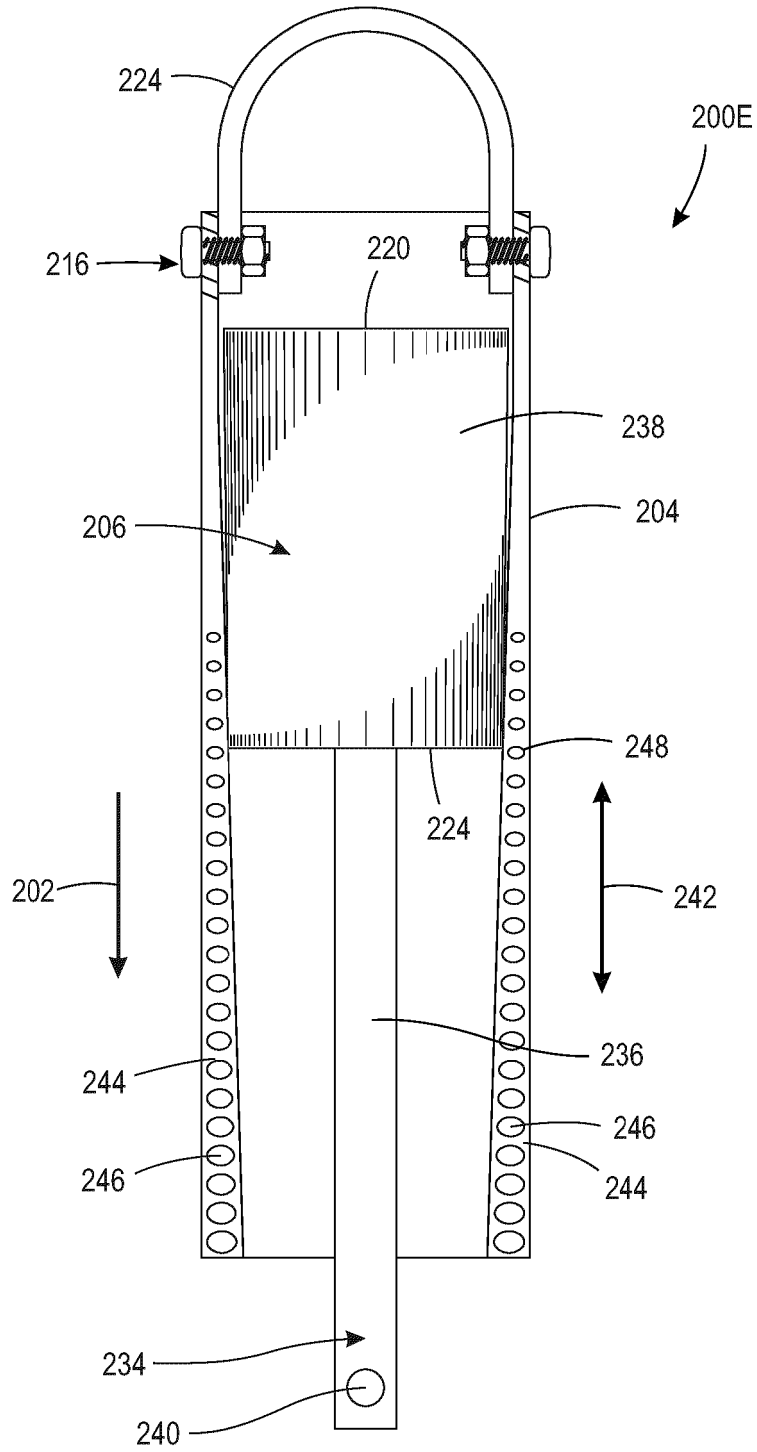


FIG. 21A

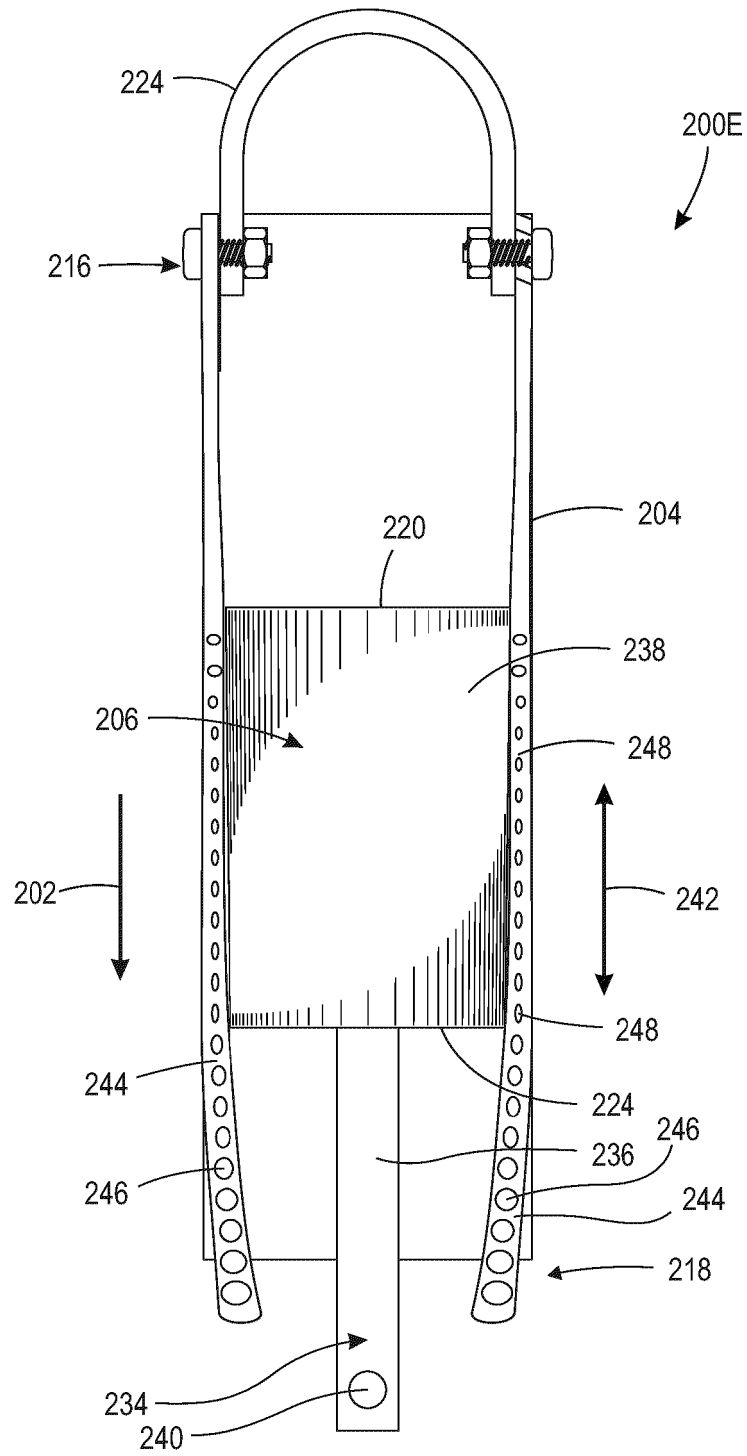


FIG. 21B

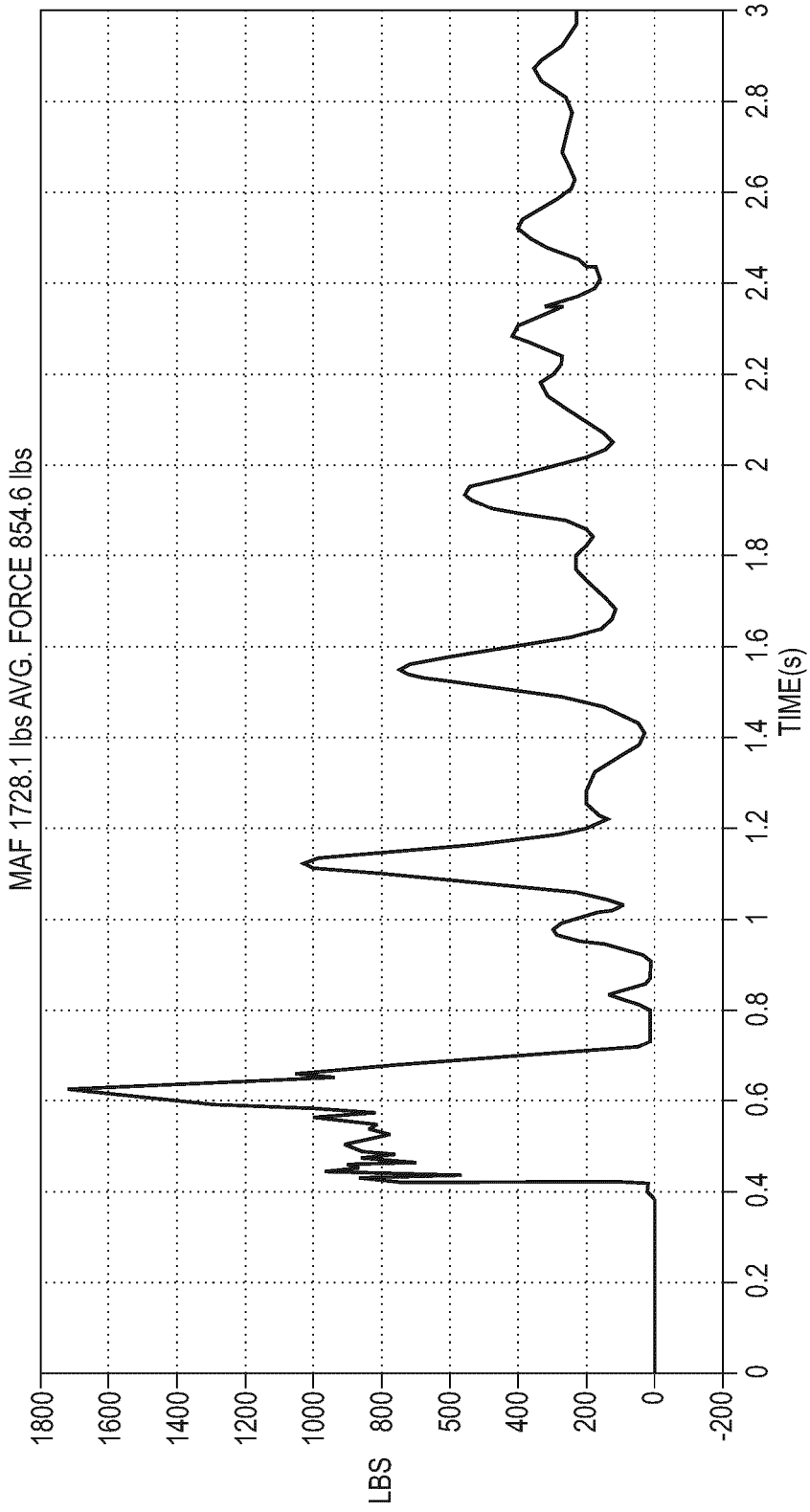


FIG. 22

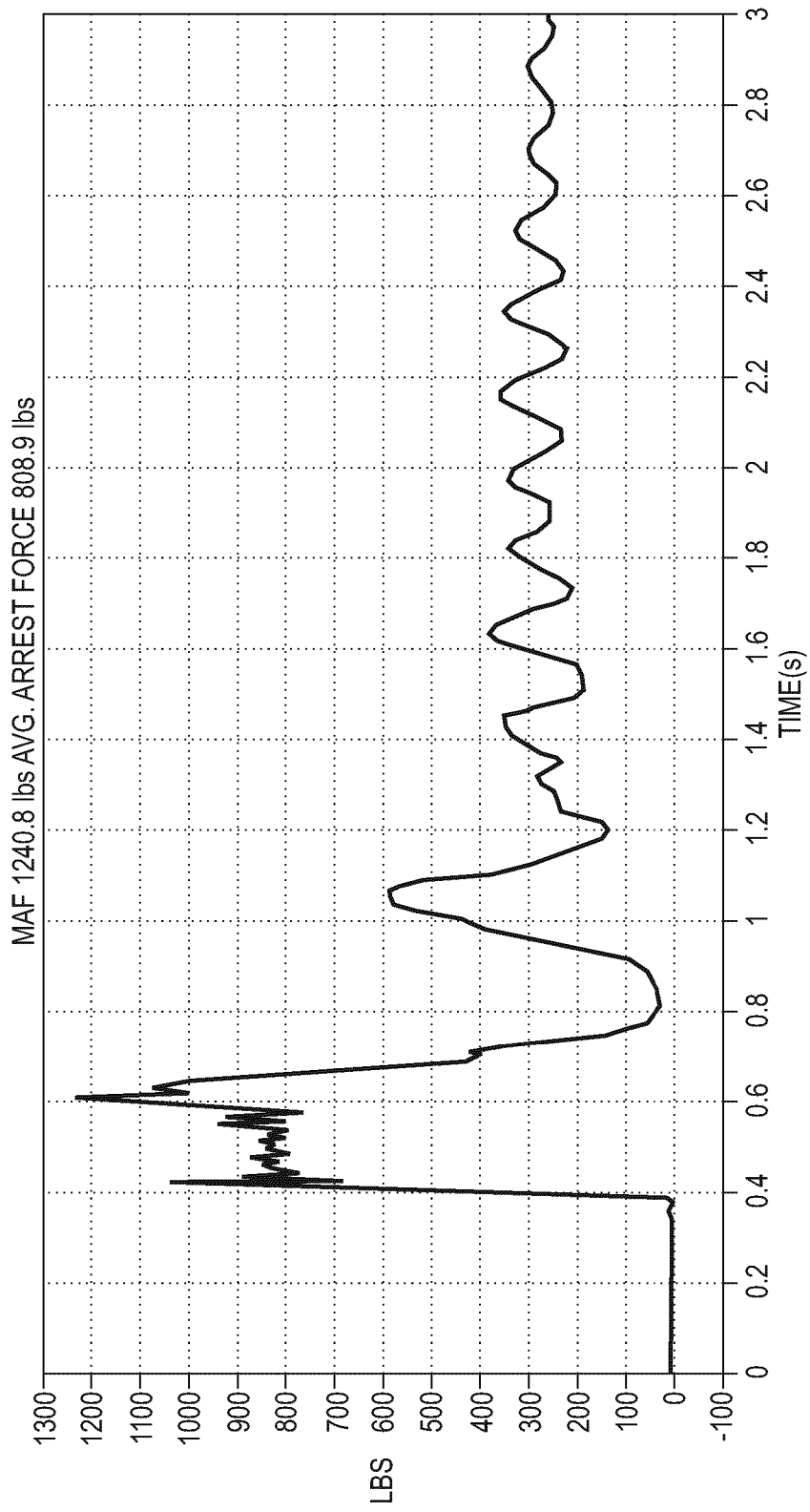


FIG. 23

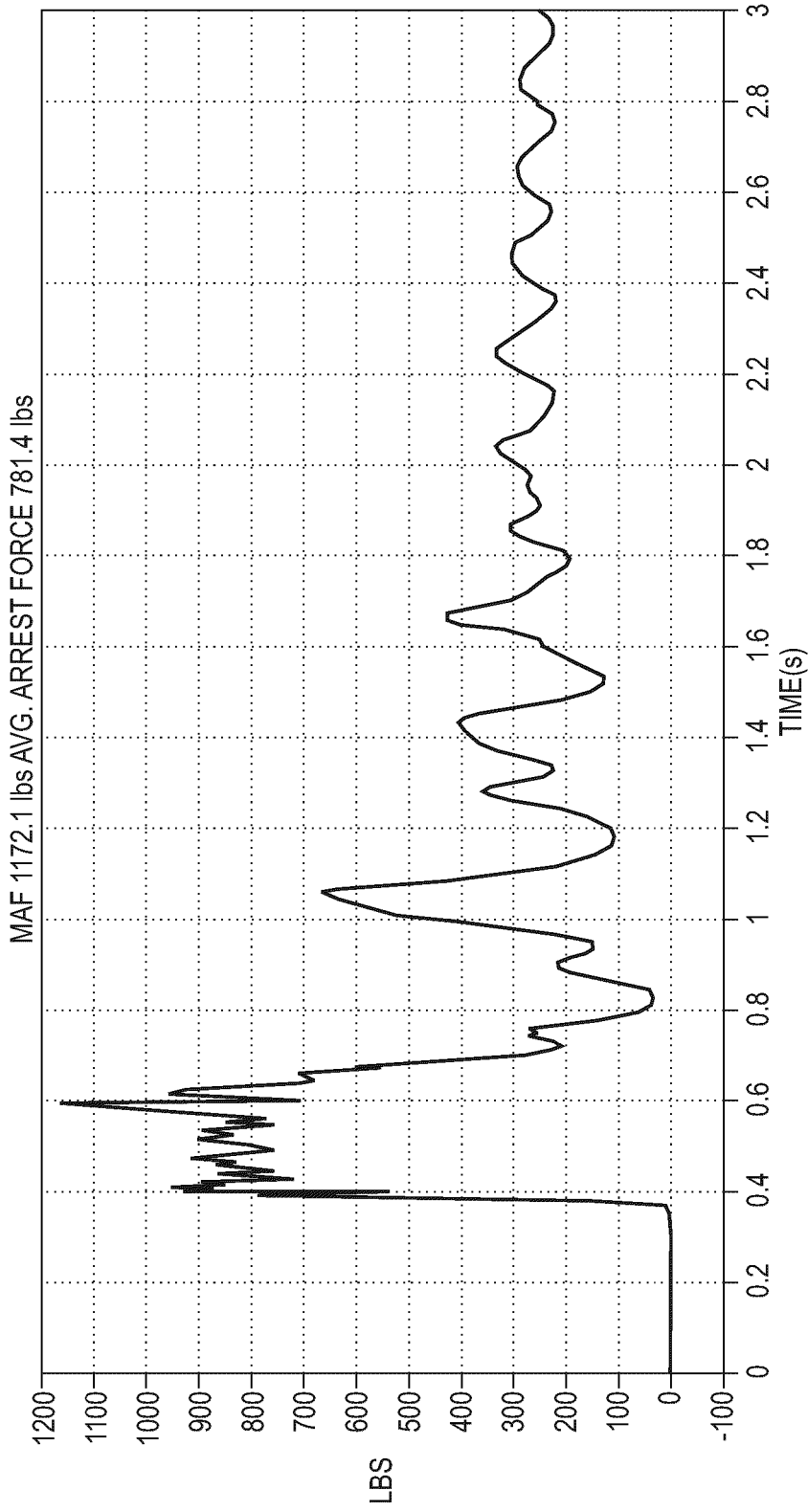


FIG. 24

REFERENCES CITED IN THE DESCRIPTION

This list of references cited by the applicant is for the reader's convenience only. It does not form part of the European patent document. Even though great care has been taken in compiling the references, errors or omissions cannot be excluded and the EPO disclaims all liability in this regard.

Patent documents cited in the description

- US 2019195310 A1 [0003]
- US 20040145098 A1 [0004]
- US 195310 A1 [0004]
- DE 202008002704 U1 [0005]