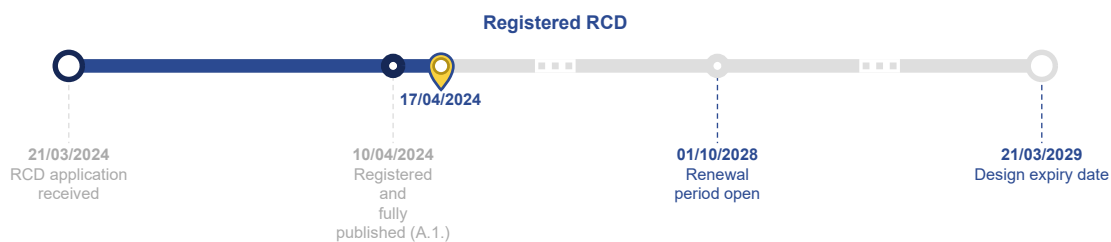


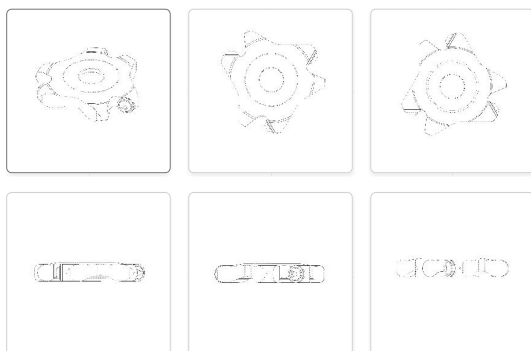
## RCD file information

015054430-0001

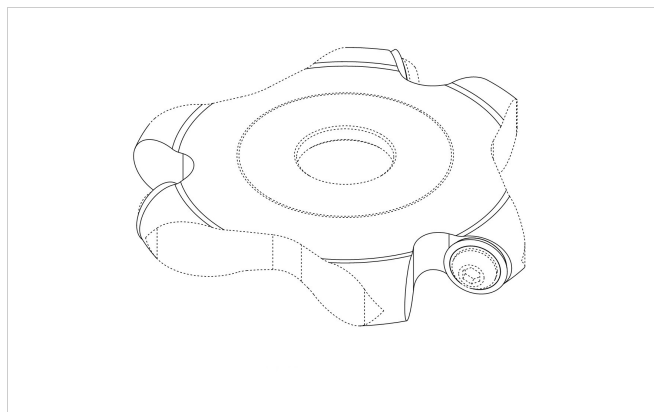
## Timeline



## Graphic representation



1 / 2



## Design information

Design number	<b>015054430-0001</b>	Filing language	<b>ENGLISH</b>
Name		Second language	<b>GERMAN</b>
Filing date	<b>21/03/2024</b>	Reference	<b>D-100185-EM</b>
Registration date	<b>21/03/2024</b>	Vienna Classification	
Expiry date	<b>21/03/2029</b>	Verbal element	
Design status	<b>Registered and fully published (A.1.)</b>		

Indication of the product, (DesignClass)

Locarno	<b>08.05</b>
Values	<b>Power tools (Accessories for -)</b>

English ▾

## Owners

### Arbortech Industries Ltd

ID	<b>1496373</b>	Country	<b>AU - Australia</b>	<b>Correspondence address</b>	
Organisation	<b>Arbortech Industries Ltd</b>	State/county	<b>Western Australia</b>	Arbortech Industries Ltd 67 Westchester Rd Malaga Western Australia 6090	Hidden. You can set your contact details to be publicly available via the User Area.
Legal status	<b>Legal entity</b>	Town	<b>Malaga</b>	6090 AUSTRALIA	Hidden. You can set your contact details to be publicly available via the User Area.
		Post code	<b>6090</b>		
		Address	<b>67 Westchester Rd</b>		Hidden. You can set your contact details to be publicly available via the User Area.

## Representatives

### REICHERT & LINDNER PARTNERSCHAFT PATENTANWÄLTE

ID	<b>48110</b>	Country	<b>DE - Germany</b>	<b>Correspondence address</b>	
Organisation	<b>n/a</b>	State/county	<b>n/a</b>	REICHERT & LINDNER PARTNERSCHAFT PATENTANWÄLTE Prüfeninger Str. 21 D-93049 Regensburg ALEMANIA	Hidden. You can set your contact details to be publicly available via the User Area.
Legal status	<b>Legal person</b>	Town	<b>Regensburg</b>		
Type	<b>Association</b>	Post code	<b>93049</b>		Hidden. You can set your contact details to be publicly available via the User Area.
		Address	<b>Prüfeninger Str. 21</b>		Hidden. You can set your contact details to be publicly available via the User Area.

## Designers

Name	Idno
Benjamin INKSTER	293326

Showing 1 to 1 of 1 entries

## Exhibition priority

No data

## Priority

Country	Filing number	Date	Status
Australia	202317302	03/11/2023	Claimed

Showing 1 to 1 of 1 entries

## Publications

Bulletin number	Date	Section	Description
2024/069	10/04/2024	A.1	Applications published under Articles 48 and 50 CDR
Showing 1 to 1 of 1 entries			

## Recordals

---

No data

## Appeals

---

No data

## Decisions

---

No data

## Renewals

---

No data

## Documents

---

	Date	Type	Procedure	File	Portfolio	Language	Pages	Actions
	10/04/2024	certi	RCD	015054430-0001				
Showing 1 to 1 of 1 entries								